



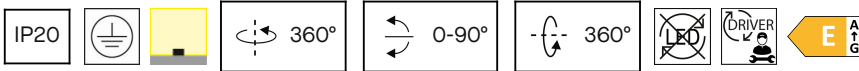
TUBS

Nahtrang Design

Table lamp TUBS LED 13.3 LED warm-white 3000K TOUCH DIMMING Black 403lm

Technical features

- Luminaire total power: 13.3W
- Real lumens: 403
- Real lm/W: 30
- Correlated Colour Temperature (CCT): LED warm-white 3000K
- Lens / reflector angle: HORIZONTAL 125°
- Structure material: Steel, Aluminium, Marble
- Structure finish: Black
- Diffuser material: Polycarbonate
- Diffuser finish: Opal
- Driver Brand: HEP
- Voltage / frequency: 100-240V/50-60Hz
- Dimming protocol: TOUCH DIMMING
- Power Factor: 0.40
- Useful life: 50,000h L80B20
- Warranty: 5 años



Luminotechnic features

- CRI: 90
- MacAdam steps: 3
- Photobiological risk: RGO

Lampholder	Quantity	Light source power (W)
LED	1	10.5W

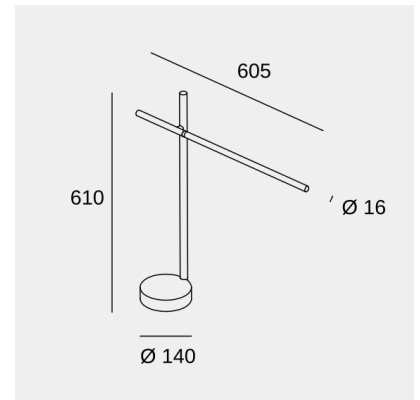
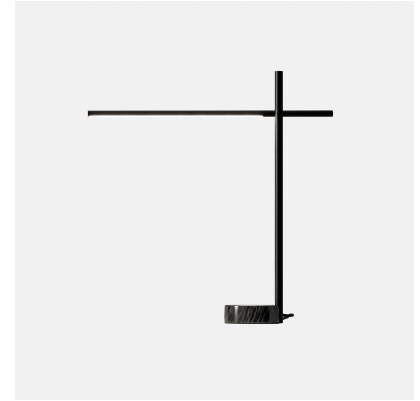


Image may not match reference. LedsC4 reserves the right to amend any of the product's components. The data related to flux, power and colour temperature may be subject to changes made by the manufacturer.



TUBS

Nahtrang Design

Table lamp TUBS LED 13.3 LED warm-white 3000K TOUCH DIMMING Black 403lm

Logistics



x 4

Net weight (kg): 2.31

Packaged weight (kg): 4

Packaging: 235mm x 215mm x 740mm

Light application



Image may not match reference. LedsC4 reserves the right to amend any of the product's components. The data related to flux, power and colour temperature may be subject to changes made by the manufacturer.