



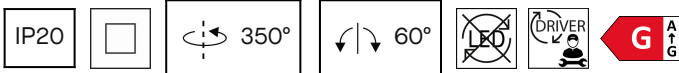
COCKTAIL

Francesc Vilaró

Table lamp COCKTAIL LED 3.5 LED warm-white 2700K TOUCH DIMMING Olive grey 154lm

Technical features

- Luminaire total power: 3.5W
- Real lumens: 154
- Real lm/W: 44
- Correlated Colour Temperature (CCT): LED warm-white 2700K
- Structure material: Aluminium
- Structure finish: Olive grey
- Diffuser material: Polycarbonate
- Diffuser finish: Satin
- Voltage / frequency: 100-240V/50-60Hz
- Dimming protocol: TOUCH DIMMING
- Power Factor: 0.90
- Useful life: 50,000h L80B20
- Warranty: 5 años



Luminotechnic features

- CRI: 90
- MacAdam steps: 3
- Photobiological risk: RGO

Lampholder	Quantity	Light source power (W)
LED	1	3W

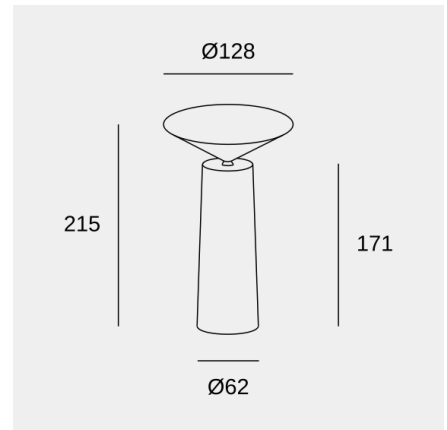


Image may not match reference. LedsC4 reserves the right to amend any of the product's components. The data related to flux, power and colour temperature may be subject to changes made by the manufacturer.



COCKTAIL

Francesc Vilaró

Table lamp COCKTAIL LED 3.5 LED warm-white 2700K TOUCH DIMMING Olive grey 154lm

Logistics



x 6

Net weight (kg): 0.75

Packaged weight (kg): 1.38

Packaging: 160mm x 160mm x 280mm

Light application



Image may not match reference. LedsC4 reserves the right to amend any of the product's components. The data related to flux, power and colour temperature may be subject to changes made by the manufacturer.