



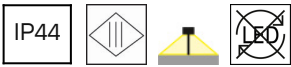
Portobello

Benedito Design

Table lamp Portobello LED 2.1 LED warm-white 2700K TOUCH DIMMING White 137lm

Technical features

- Luminaire total power: 2.1W
- Real lumens: 137
- Real lm/W: 65
- Correlated Colour Temperature (CCT): LED warm-white 2700K
- Lens / reflector angle: FLOOD 81°
- Structure material: ABS
- Structure finish: White
- Diffuser material: Methacrylate
- Diffuser finish: Sandblasted
- Voltage / frequency: 5VDC 1000mA
- Dimming protocol: TOUCH DIMMING
- Useful life: 50,000h L80B20
- Warranty: 5 años



Luminotechnic features

- TM30 RG: 97
- TM30 RF: 85
- Melanopic ratio: 0.48
- CRI: 90
- MacAdam steps: 3
- Photobiological risk: RGO

Lampholder	Quantity	Light source power (W)
LED	1	2.1W

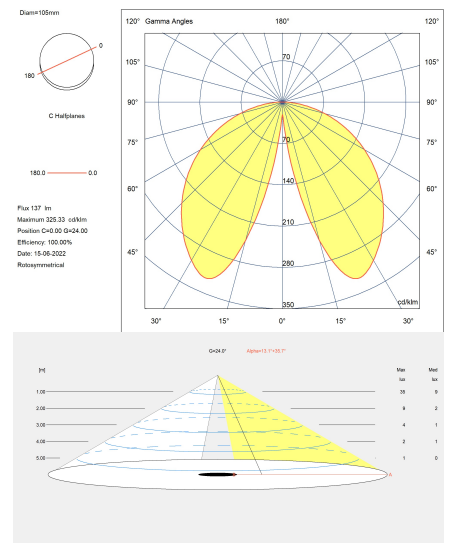
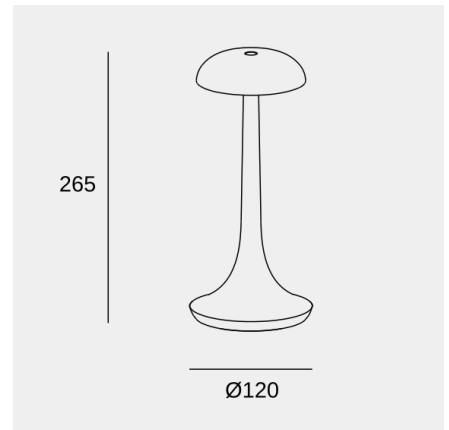


Image may not match reference. LedsC4 reserves the right to amend any of the product's components. The data related to flux, power and colour temperature may be subject to changes made by the manufacturer.



Portobello

Benedito Design

Table lamp Portobello LED 2.1 LED warm-white 2700K TOUCH DIMMING White 137lm

Logistics



x 9

Net weight (kg): 0.39

Packaged weight (kg): 0.81

Packaging: 155mm x 155mm x 320mm

Light application



Image may not match reference. LedsC4 reserves the right to amend any of the product's components. The data related to flux, power and colour temperature may be subject to changes made by the manufacturer.