



## Perlina

Nina Mair

Table lamp Perlina LED 8.8W SW 2700-3000-4000K TOUCH DIMMING Black 391lm

### Technical features

- Luminaire total power: 8.8W
- Real lumens: 391 (3000K)
- Real lm/W: 44
- Correlated Colour Temperature (CCT): SW 2700-3000-4000K
- Structure material: Steel
- Structure finish: Black
- Diffuser material: Glass
- Diffuser finish: OPAL
- Voltage / frequency: 220-240V/50-60Hz
- Dimming protocol: TOUCH DIMMING
- Power Factor: NULL
- Useful life: 50,000h L80B20
- Warranty: 5 years
- Easily recyclable luminaire



### Luminotechnic features

- CRI: 90
- MacAdam steps: 3
- Photobiological risk: RG1
- UGR crosswise: 29.5
- UGR lengthwise: 29.5

Lampholder	Quantity	Light source power (W)
LED	1	7.2W

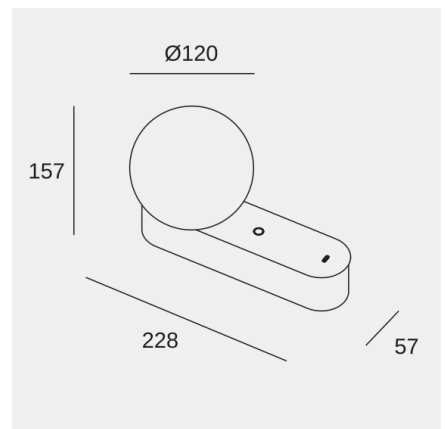


Image may not match reference. LedsC4 reserves the right to amend any of the product's components. The data related to flux, power and colour temperature may be subject to changes made by the manufacturer.



## Perlina

Nina Mair

Table lamp Perlina LED 8.8W SW 2700-3000-4000K TOUCH DIMMING Black 391lm

### Logistics



x 8

Net weight (kg): 1.05

Packaged weight (kg): 1.95

Packaging: 205mm x 205mm x  
375mm

Image may not match reference. LedsC4 reserves the right to amend any of the product's components. The data related to flux, power and colour temperature may be subject to changes made by the manufacturer.