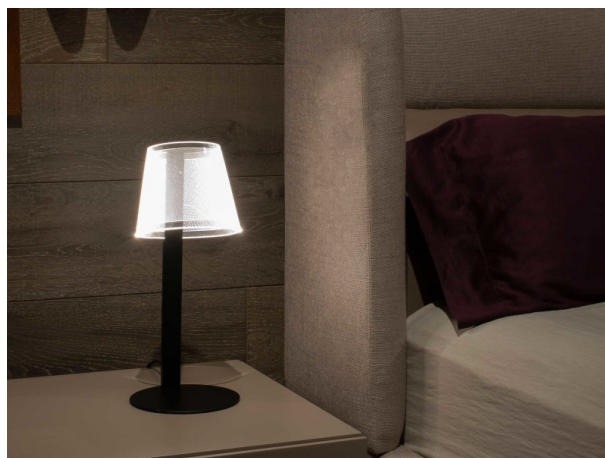


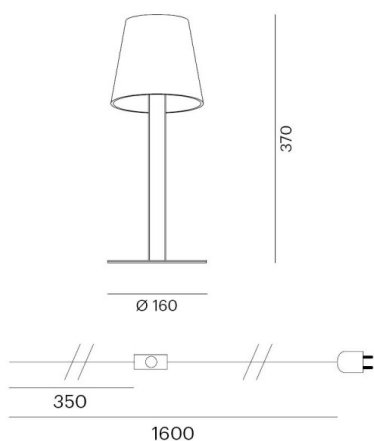
## TEO

101-500096ok

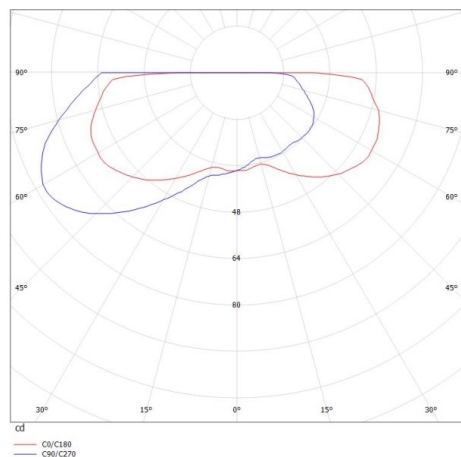
TEO T TABLE LUMINAIRE made of aluminium, black, similar to RAL 9005, shade made of laser micro-perforated LGP plastic material transparent, beam asymmetric, light output direct / indirect, with converter, dimmability: 3 Step Touch Dim, cable black, IP20



## DRAWING



## LIGHT DISTRIBUTION CURVE



## TECHNICAL DETAILS

System perform. [W]	6
Bulb type	LED
Luminous flux [lm]	280
Colour temp. [K]	3000K
CRI	>80
Optics	shade made of laser micro-perforated LGP plastic material
Converter	with converter
Light output	direct / indirect
Beam angle [°]	asymmetrisch
Voltage [V]	220-400V 50/60Hz
Material	aluminium
Height [mm]	370
Diameter [mm]	160
IP protection class	IP20
Voltage class	protection cl. II
Net weight [kg]	5,70
Colour lamp	black
RAL	9005
Colour of glass/shade	transparent
Electric wire	black
EAN-Number	9010506136852
Lifetime [h]	L80 B10 20 000
Energy efficiency cl.	E



The values are rated values. Power and luminous flux are initially subject to a tolerance of +/- 10%. Colour temperature tolerance: +/- 150 K. The values apply to an ambient temperature of 25°C unless otherwise specified.