

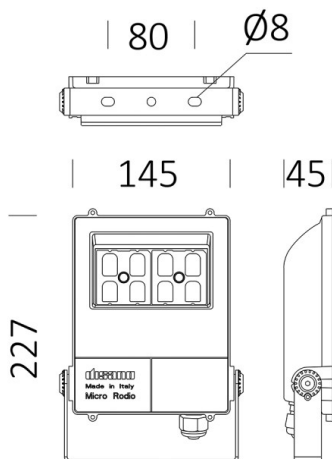
RODIO

125-41487200

MICRO RODIO L ASYM FLOODLIGHTS made of aluminium, anthrazite, transparent glass light output direct, tilting 180°, with converter, dimmability: not dimmable, cable black, IP66



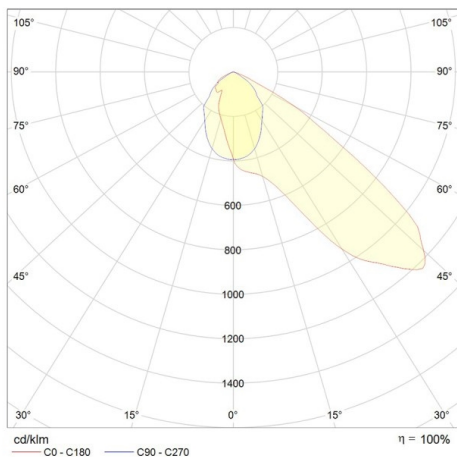
DRAWING



TECHNICAL DETAILS

System perform. [W]	28
Bulb type	LED
Luminous flux [lm]	3118
Colour temp. [K]	4000K
CRI	>80
Optics	transparent glass
Converter	with converter
Dimming	not dimmable
Light output	direct
Voltage [V]	220-240V 50/60Hz
Material	aluminium
Length [mm]	145
Width [mm]	45
Height [mm]	227
IP protection class	IP66
Voltage class	protection cl. I
Shock resistance	IK08
Net weight [kg]	1,17
Colour lamp	anthrazite
Electric wire	black
EAN-Number	8012952151480
Lifetime [h]	50 000

LIGHT DISTRIBUTION CURVE



The values are rated values. Power and luminous flux are initially subject to a tolerance of +/- 10%. Colour temperature tolerance: +/- 150 K. The values apply to an ambient temperature of 25°C unless otherwise specified.