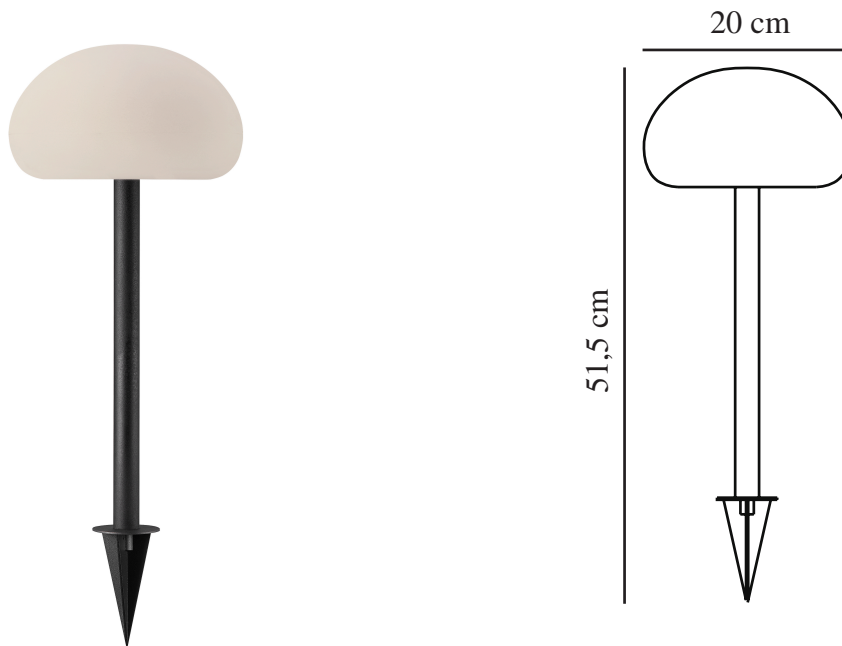


SPONGE SPIKE | BATTERY LIGHT | WHITE

2018128003

nordlux®



Voltage (V): 5 Volt
IP degree: IP65
Class (Class 1, Class 2, Class 3):
Class 3 (12V)
Socket type: LED Module
Dimmerable: True
Switch placement: On the fixture

Primary material: Plastic
Secondary material: Metal
Colour of the cable: Black
Length of the cable (cm): 150
Surface material of the cable:
Plastic
Colour: White

Height (cm): 51.5
Width (cm): 20
Tube Diameter (cm): 2.3
Shade Diameter (cm): 20
Length (cm): 20

EAN: 5701581496880
TUN: 2079696
Item Number: 2018128003
Pcs Per Master Carton: 3
Sales Box Height (cm): 15
Sales Box Width(cm): 24

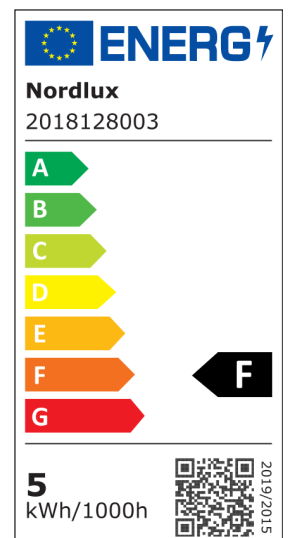
Sales Box Depth (cm): 23
Sales Box Volume m³ : 0.0083
Product net weight (kg): 0.69

Brightness of light (Lumen): 300
Colour temperature (Kelvin): 2700
Ra-value : 80
Lifetime (hours): 30000
Beam angle (°) : 120
Battery lasting time for each
lumen: 300lm/5h; 200lm/10h;
100lm/18h
Battery recharging 0%-100% (h):
6
Energy class: F
Actual watt (W): 4.8

- Long battery life • Durable materials • High lumen output with 3-step dimming • Water resistant (IP65)
- Warm white LED (2700 kelvin) • Spike included for easy placement • 5-year LED guarantee

Sponge is named after sponges in the forest, where the inspiration for design, shape and expression also is found. The simple design and soft shapes make Sponge an incredibly elegant series, suitable inside and outside the home. With the built-in battery, Sponge can be placed and moved as you like and simultaneously, the brightness of the light can be adjusted in three levels. The battery has a durability up to five hours at full power and even longer if the light is turned down to a cosy lighting. The battery is easily charged via the included USB cable.

There are many opportunities with this beautiful portable spike lamp, as you can place it in the flowerbed, along the driveway or terrace. Sponge is made of hard plastic and is durable against wind and water.



5 kWh/1000h

2019/2015