



CLIP

Nahtrang Design

Floor lamp CLIP E27 15 Black

Technical features

Luminaire total power: 15W

Structure material: Steel

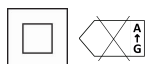
Structure finish: Black

Recommended light bulb: E27

Voltage / frequency: 100-240V/50-60Hz

Warranty: 5 años

Easily recyclable luminaire



Luminotechnic features

UGR crosswise: NA

UGR lengthwise: NA

Lampholder	Quantity	Light source power (W)
E27	1	Max. power 15W

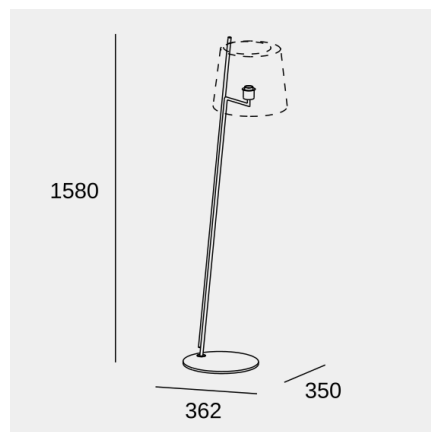


Image may not match reference. LedsC4 reserves the right to amend any of the product's components. The data related to flux, power and colour temperature may be subject to changes made by the manufacturer.



CLIP

Nahtrang Design

Floor lamp CLIP E27 15 Black

Logistics



x 1

Net weight (kg): 9.15

Packaged weight (kg): 11.1

Packaging: 1640mm x 120mm x
430mm

Light application



Image may not match reference. LedsC4 reserves the right to amend any of the product's components. The data related to flux, power and colour temperature may be subject to changes made by the manufacturer.