

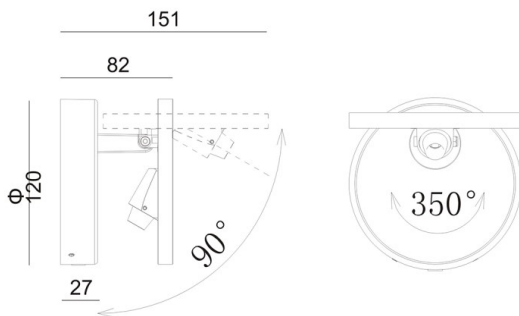
CLARUS

276-0151090402705tr

CLARUS W SURFACE MOUNTED WALL LUMINAIRE made of aluminium, white, similar to RAL 9003, beam 40°, light output direct / indirect, swiveling 350°, tilting 90°, with converter, dimmability: not dimmable, IP20



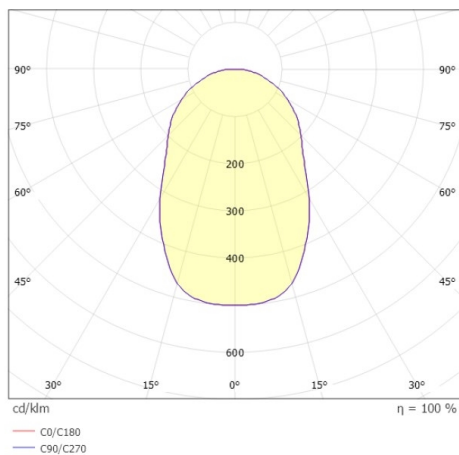
DRAWING



TECHNICAL DETAILS

System perform. [W]	8
Bulb type	LED
Luminous flux [lm]	400
Colour temp. [K]	2700K
CRI	>90
Converter	with converter
Dimming	not dimmable
Light output	direct / indirect
Beam angle [°]	40°
Voltage [V]	220-240V 50/60Hz
Material	aluminium
Height [mm]	82
Diameter [mm]	120
IP protection class	IP20
Voltage class	protection cl. I
Net weight [kg]	0,71
Colour lamp	white
RAL	9003
EAN-Number	9008905787454
Lifetime [h]	L80 B10 20 000
Energy efficiency cl.	E

LIGHT DISTRIBUTION CURVE



The values are rated values. Power and luminous flux are initially subject to a tolerance of +/- 10%. Colour temperature tolerance: +/- 150 K. The values apply to an ambient temperature of 25°C unless otherwise specified.