

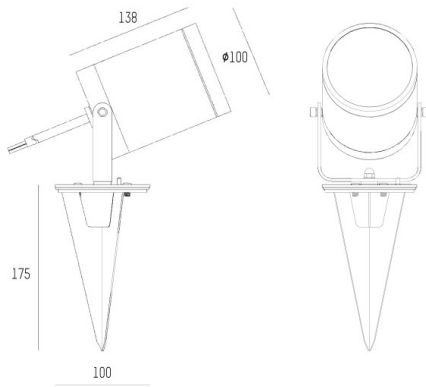
FORIS

333-00033

FORIS ROUND F SURFACE MOUNTED SPOTLIGHT made of aluminium, anthrazite, similar to RAL 7024, high-efficiently vacuum deposited aluminium reflector without safety glass beam 60°, accessoire: ground spike, light output direct, UGR <22, swiveling 140°, tilting 20°, dimmability: on/off, IP66 cable lenght 2000mm



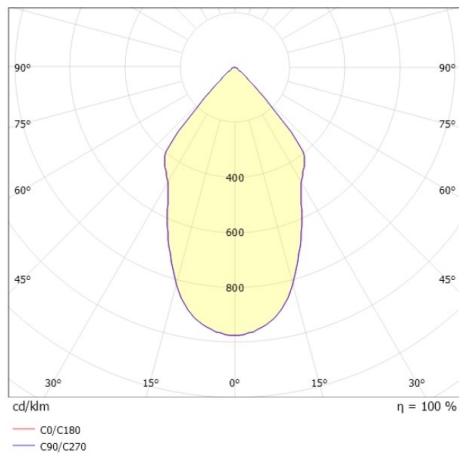
DRAWING



TECHNICAL DETAILS

System perform. [W]	11
Bulb type	LED
Luminous flux [lm]	900/970lm
Colour temp. [K]	2700/3000K
CRI	>90
UGR	<22
Optics	aluminium reflector without protection glass
Light output	direct
Beam angle [°]	60°
Voltage [V]	220-240V 50/60Hz
Material	aluminium
Length [mm]	138
Diameter [mm]	100
IP protection class	IP66
Voltage class	protection cl. I
Shock resistance	IK06
Net weight [kg]	1,71
Colour lamp	anthrazite
RAL	7024
EAN-Number	9010870409118
Lifetime [h]	L80 B10 50 000
Energy efficiency cl.	D
No. of luminaires B16A	74

LIGHT DISTRIBUTION CURVE



The values are rated values. Power and luminous flux are initially subject to a tolerance of +/- 10%. Colour temperature tolerance: +/- 150 K. The values apply to an ambient temperature of 25°C unless otherwise specified.