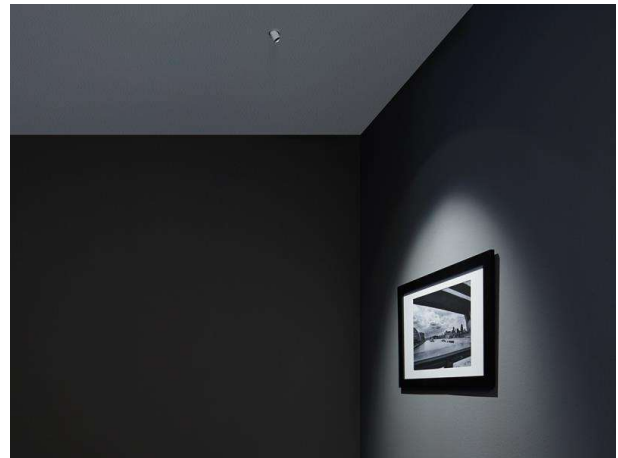


TRIGGA TRIMLESS R


662-007020229660

TRIGGA RECESSED SPOTLIGHT made of aluminium, black matt, similar to RAL 9005, anti-glare LFO lens due to microfaceted structure beam 30°, light output direct, UGR <16, swiveling 350°, tilting 30°, without converter, max. 500mA, IP20

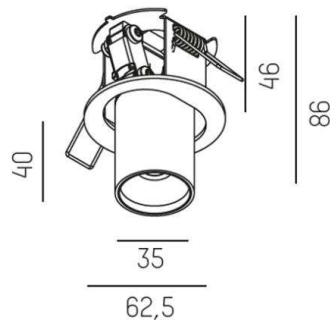


DRAWING

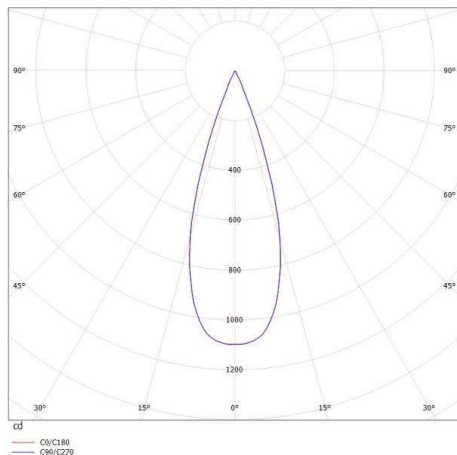
 12,5 - 20mm

 68 mm, ET 65mm

 350°  30°



LIGHT DISTRIBUTION CURVE



TECHNICAL DETAILS

Bulb type	LED
Luminous flux [lm]	320
Current sec. [mA]	500
Colour temp. [K]	3000K
CRI	>90
UGR	<16
Optics	LFO lens
Designer	Serge & Robert Cornelissen
Converter	without converter
Light output	direct
Beam angle [°]	30°
Material	aluminium

Height [mm]	86
Diameter [mm]	62,5
Ceiling cutout [mm]	68
Recess depth [mm]	65
IP protection class	IP20
Voltage class	protection cl. II
Net weight [kg]	0,166

Color	black matt
RAL	9005
EAN-Number	9008905744570
Lifetime [h]	50000
Energy efficiency cl.	A++-A

The values are rated values. Power and luminous flux are initially subject to a tolerance of +/- 10%. Colour temperature tolerance: +/- 150 K. The values apply to an ambient temperature of 25°C unless otherwise specified.