

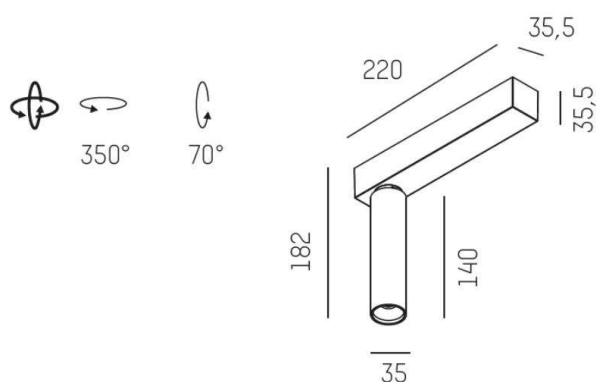
**TRIGGA 1 SD**

**662-011040229550**

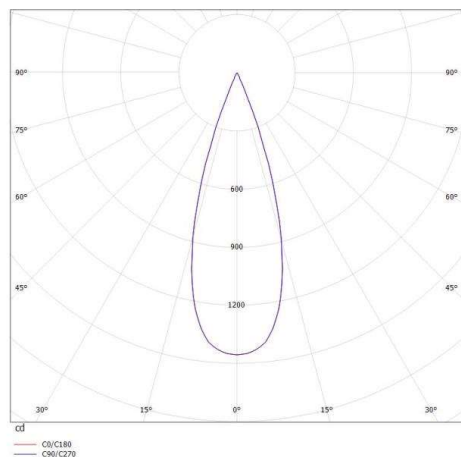
TRIGGA WALL / CEILING LUMINAIRE made of aluminium, white matt, similar to RAL 9016, anti-glare LFO lens due to microfaceted structure beam 30°, light output direct, UGR <16, swiveling 350°, tilting 70°, with converter, max. 700mA, IP20



**DRAWING**



**LIGHT DISTRIBUTION CURVE**



**TECHNICAL DETAILS**

System perform. [W]	11
Bulb type	LED
Luminous flux [lm]	410
Current sec. [mA]	700
Colour temp. [K]	3000K
CRI	>90
UGR	<16
Optics	LFO lens
Designer	Serge & Robert Cornelissen
Converter	with converter
Light output	direct
Beam angle [°]	30°
Voltage [V]	220-240V 50/60Hz
Material	aluminium
Width [mm]	35,5
Height [mm]	182
Diameter [mm]	35
IP protection class	IP20
Voltage class	protection cl. II
Net weight [kg]	0,43716
Color	white matt
RAL	9016
EAN-Number	9008905731273
Lifetime [h]	50000
Energy efficiency cl.	A++-A
No. of luminaires B16A	27

The values are rated values. Power and luminous flux are initially subject to a tolerance of +/- 10%. Colour temperature tolerance: +/- 150 K. The values apply to an ambient temperature of 25°C unless otherwise specified.