

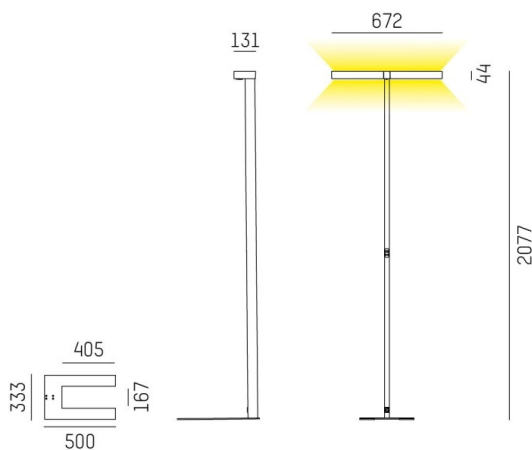
CONCEPT

723-001130314550

CONCEPT DOUBLE F FLOOR LAMP made of aluminium, white, similar to RAL 9016, microfaceted free-form reflector beam for double workplace, light output direct / indirect 30:70, UGR <19, with converter, max. 1500mA, dimmability: not dimmable, cable black, IP20 Membrane switch with USB connection (max.1A)



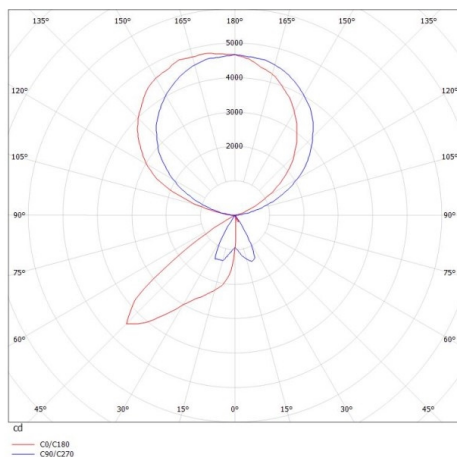
DRAWING



TECHNICAL DETAILS

System perform. [W]	140
Bulb type	LED
Luminous flux [lm]	15420
Current sec. [mA]	1500
Colour temp. [K]	4000K
CRI	>80
UGR	<19
Optics	microfaceted free-form reflector
Designer	INHOUSE
Converter	with converter
Dimming	not dimmable
Light output	direct / indirect 30:70
Beam angle [°]	für Doppelarbeitsplatz
Voltage [V]	220-240V AC/DC
Material	aluminium
Length [mm]	672
Width [mm]	131
Height [mm]	2077
IP protection class	IP20
Voltage class	protection cl. I
Net weight [kg]	14,96
Colour lamp	white
RAL	9016
Electric wire	black
EAN-Number	9010506301052
Lifetime [h]	L80 B10 50 000
Energy efficiency cl.	D
No. of luminaires B16A	24

LIGHT DISTRIBUTION CURVE



The values are rated values. Power and luminous flux are initially subject to a tolerance of +/- 10%. Colour temperature tolerance: +/- 150 K. The values apply to an ambient temperature of 25°C unless otherwise specified.