

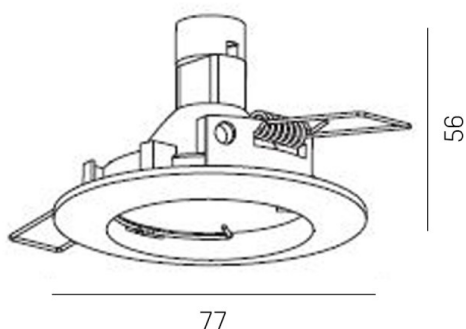
SERIE 146 HV

8-1467hv

SERIE 146 HV RECESSED SPOTLIGHT made of aluminium, white, similar to RAL 9003, light output direct, dimmability: not dimmable, IP20



DRAWING



TECHNICAL DETAILS

Bulb type	QPAR 16 9W
No.of bulb holders	1x
Socket	GU10
Dimming	not dimmable
Light output	direct
Voltage [V]	220-240V 50/60Hz
Material	aluminium
Height [mm]	83
Diameter [mm]	77
Ceiling cutout [mm]	65
Recess depth [mm]	113
IP protection class	IP20
Voltage class	protection cl. I
Net weight [kg]	0,10
Colour lamp	white
RAL	9003
EAN-Number	9008905808692

LIGHT DISTRIBUTION CURVE



The values are rated values. Power and luminous flux are initially subject to a tolerance of +/- 10%. Colour temperature tolerance: +/- 150 K. The values apply to an ambient temperature of 25°C unless otherwise specified.