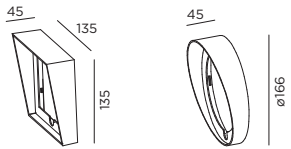


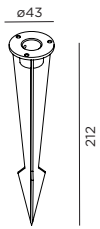
X-BEAM

INSTALLATION INSTRUCTIONS | JANUARY 2024

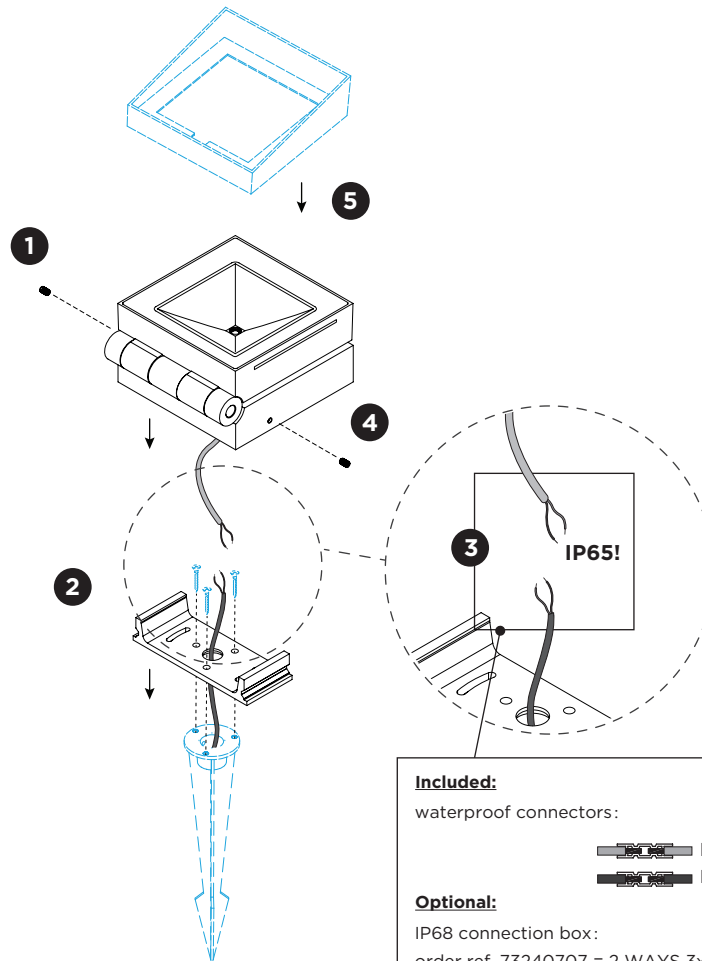
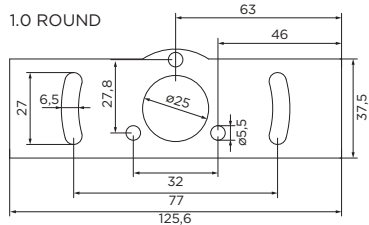
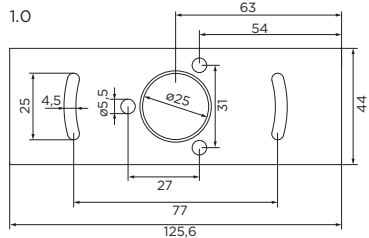
snout dimensions - optional



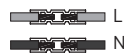
groundspike dimensions - optional



base plate dimensions

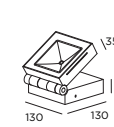


Included:
waterproof connectors:

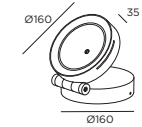


Optional:
IP68 connection box:
order ref. 73240707 = 2 WAYS 3x1,5 Ø8-10mm

DIMENSIONS



1.0



1.0 ROUND

MOUNTING INSTRUCTION

- 1 Remove the base plate by loosening the side screws.
- 2 Fix the base plate to the ground or wall with screws (screws are not included).

OPTIONAL

Fix the base plate to the groundspike with screws (screws are included).

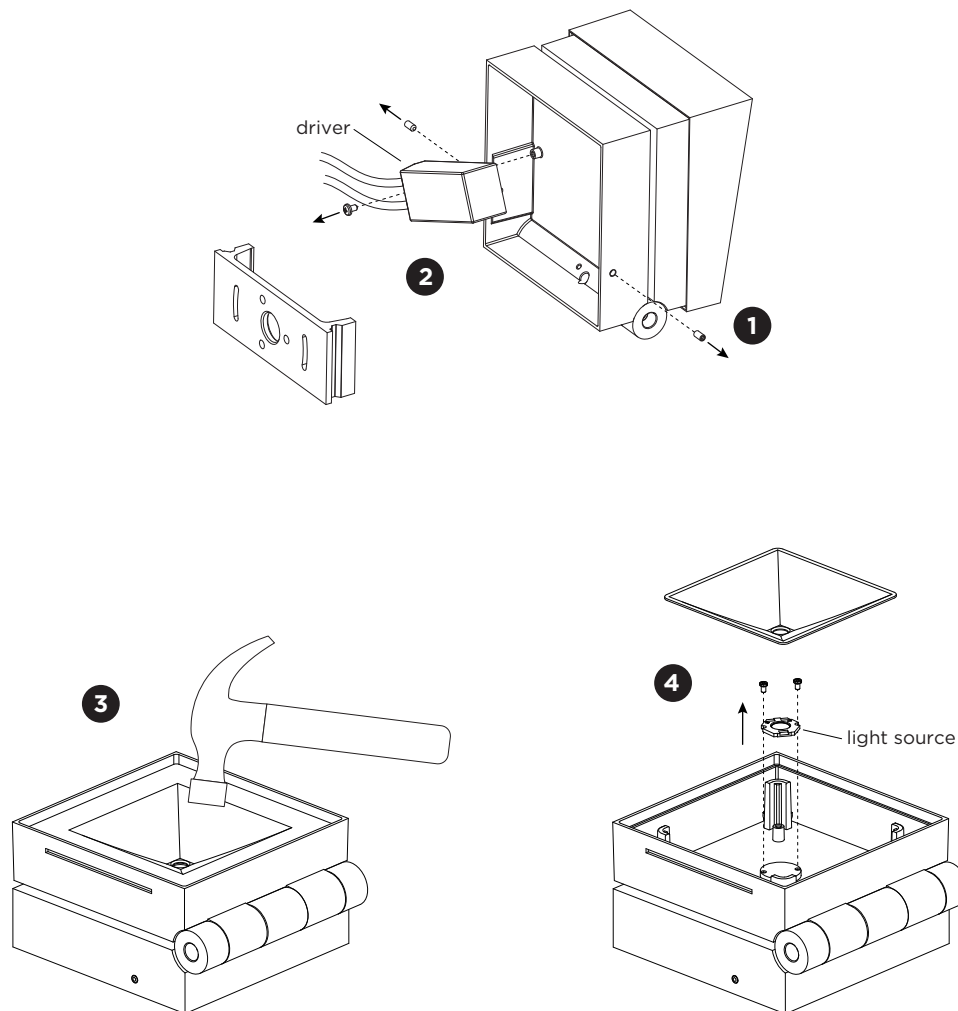
- 3 **POWER CONNECTION**
Connect the wires with the waterproof connectors.
Connect to 220-240V.
Please see the detail method in the separate instruction sheet.

- 4 Fix the fixture to the base plate with the side screws.

- 5 **OPTIONAL**
Click the snout on the X-BEAM.

X-BEAM

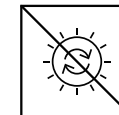
INSTALLATION INSTRUCTIONS | JANUARY 2024



DISMANTLING AND RECYCLING INSTRUCTIONS

Light source & driver

- 1 Loosen the side screws and remove the luminaire housing from the mounting base.
- 2 Loosen the screw and cut the wires to remove the driver.
- 3 Break the glass.
- 4 Take out the reflector and unscrew the light source.



The light source is not replaceable.



The driver can be replaced by the end user.



This luminaire contains a light source with the energy class E.



WEVER & DUCRÉ
LIGHTING

WEVER & DUCRÉ BV

Spinnerijstraat 99/21, 8500 Kortrijk, Belgium
weverducre.com