

THE BALLON PENDANT IS A TRULY UNIQUE  
PENDANT LAMP, HAVING THE ABILITY TO  
TRANSFORM ENDLESSLY ACCORDING TO  
DIFFERENT ROOMS, SPACES AND  
ATMOSPHERES.

Ballon pendant





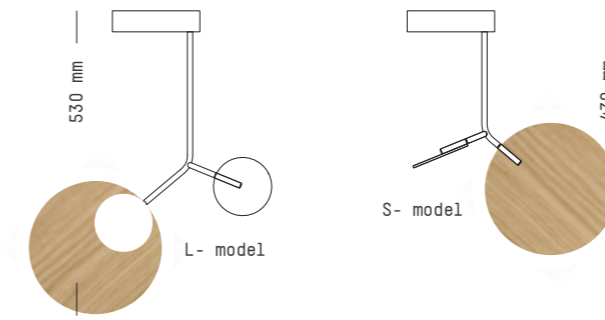
Ballon pendant: special model L-model, 24k Gold frame, 110mm black panel, 250mm oak panel in the picture.

Ballon pendant

TUNTO

MODEL OPTION SPECIFICATIONS

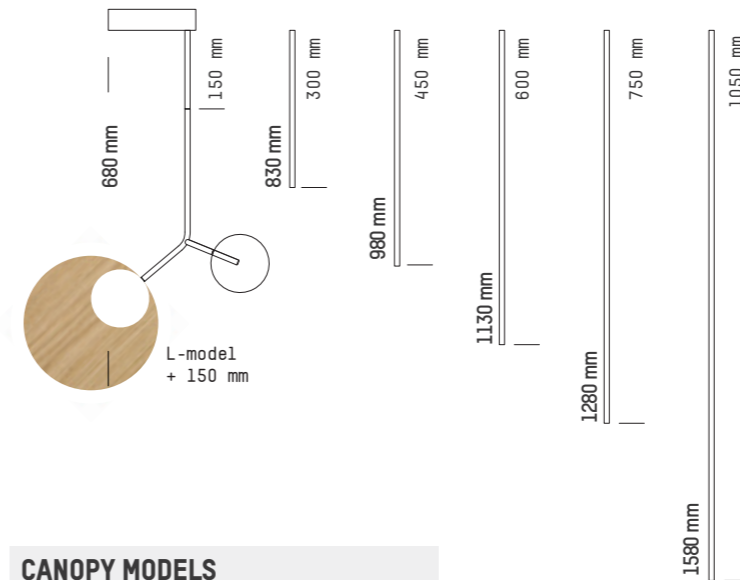
L-MODEL / S-MODEL



Adjustable panels: large 250 mm, small 110 mm

The Ballon Pendant comes in two options: the L-model and the S-model. The length of the frame can be adjusted with extension tube. The frame comes in black, white or 24K gold coating, and the canopy's material can be chosen accordingly.

EXTENSION TUBE



CANOPY MODELS

1-2 Unit Canopy

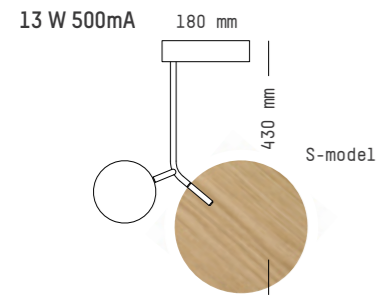


3 Units Canopy

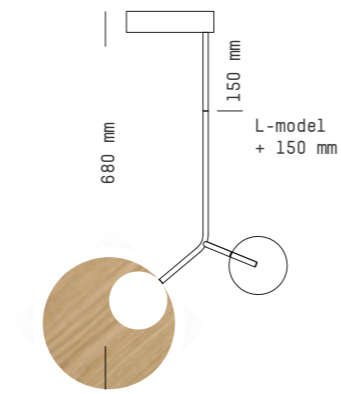
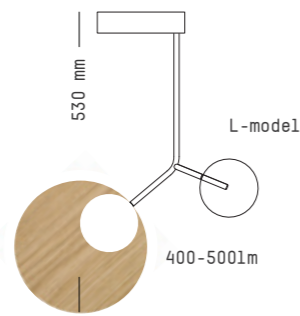


Collection

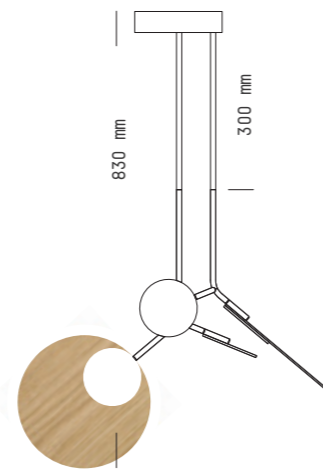
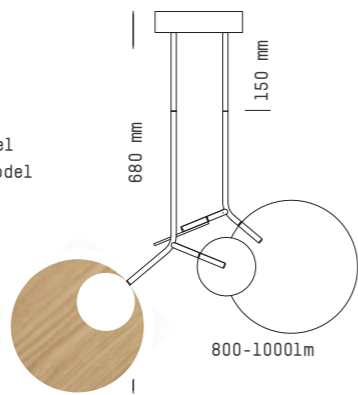
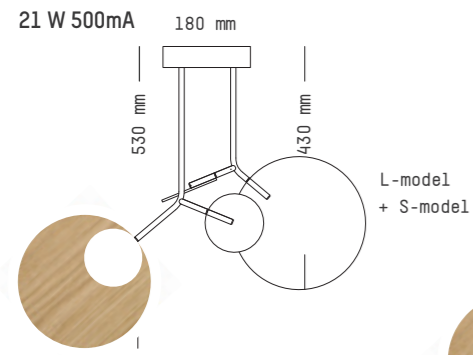
### BALLON pendant 1 Unit



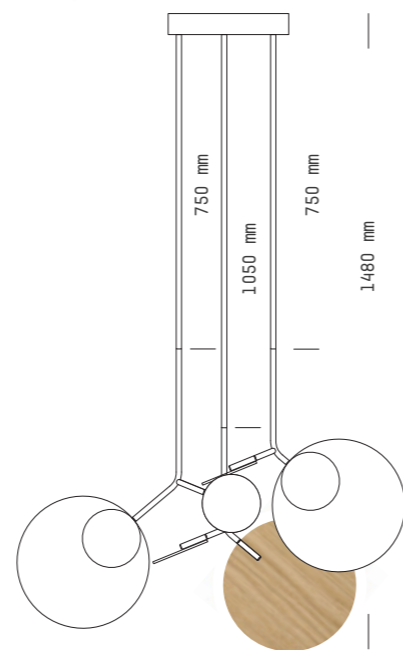
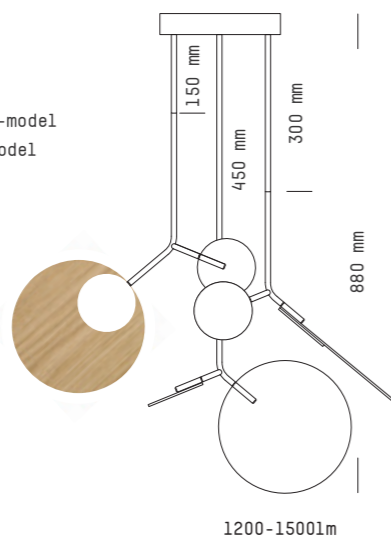
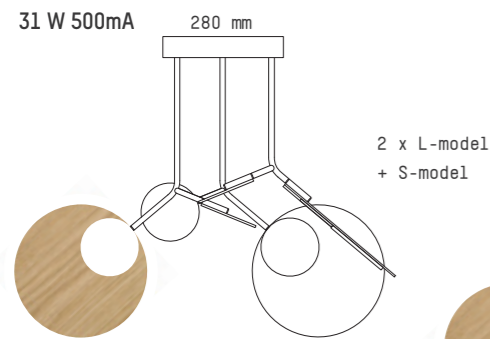
### MODEL EXAMPLES



### BALLON pendant 2 Unit



### BALLON pendant 3 Unit



### TECHNICAL SPECIFICATIONS

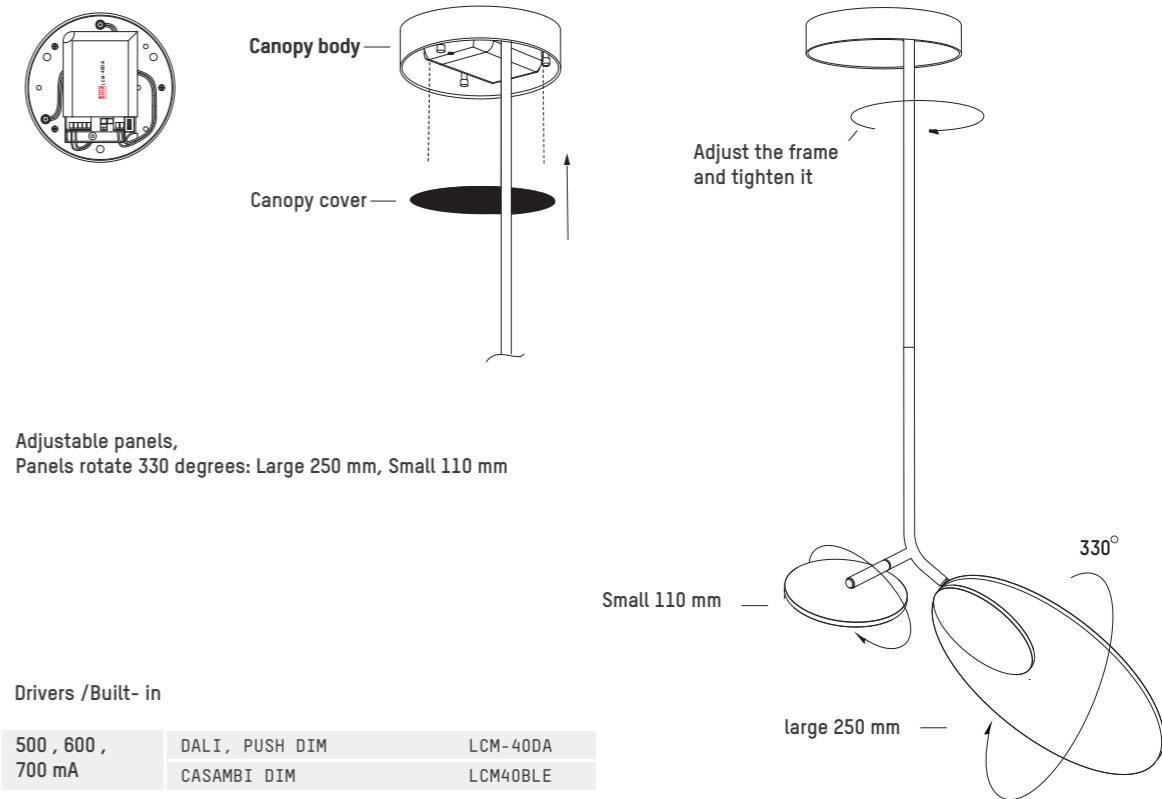
Frame Available colors and materials

Black White 24K Gold plated

Oak Walnut Black White

Canopy body and 110 mm panel color

Wood Surface Finish: Lacquer



#### Drivers /Built-in

500, 600, 700 mA	DALI, PUSH DIM	LCM-40DA
	CASAMBI DIM	LCM40BLE

Rated Power	13-44 W	Kelvin	2700 K, 3000 K
	Voltage		180-295V 50/60 Hz,
Output	18 - 57V 500mA (standard), 600, 700mA	CRI	97, R9=87
Canopy	1-2 unit 180mm x 40mm, 3 unit 280mm x 40mm	Package Size	900-1600 x 480 x 150 mm, U1 unit
Frame, Canopy color	White RAL 9003 fine efekt Black RAL 9005 fine efekt	Package Weight	5,5 kg

**Ballon** pendant