

**A LUMINAIRE THAT IS BOTH A  
SCULPTURE AND A FLOWER.**

The Ballon series draws its design from the organic shapes and patterns of nature, with a sprinkle of inspiration from the sculptural arts.

The luminaires in the series combine various materials and the latest technology with a highly visual form language.

**Ballon** table

TUNTO



Collection



The Ballon Table was creatively influenced by the endlessly graceful and harmonious forms of plants and flowers. The light can be effortlessly operated with the Tunto EnOcean wireless switch that complements the style and grace of the luminaire.

Ballon table

TUNTO

Collection





The various parts of the luminaire are adjustable and customizable for creating a nearly unlimited variety of forms and moods.

# Ballon table

The luminaire's parts are available in various colours and materials for a myriad of creative options. The rotating, adjustable wooden panels and the marble base bring a strong element of natural, organic elegance to the luminaire, and the prestigious 24K gold-plated metal frames add a touch of timeless luxury.

# Ballon table





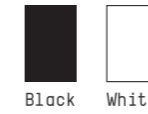
Ballon table, 24k Gold frame, 110mm black panel, 250mm black panel in the picture.

# Ballon table

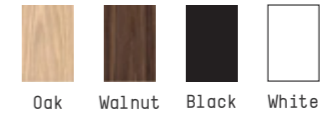
TUNTO

## TECHNICAL SPECIFICATIONS

Base and 110mm panel colors

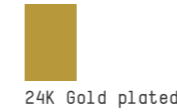


250mm panel colors and materials



Wood Surface Finish: Lacquer

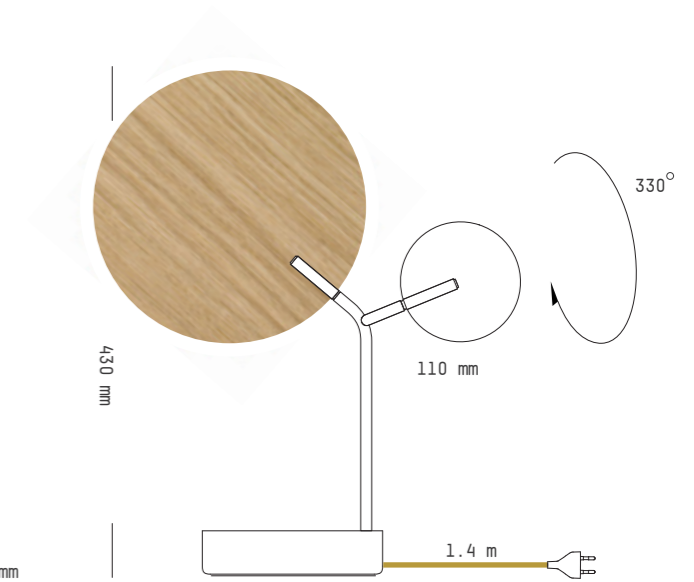
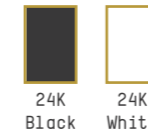
Frame



Base stone



Switch colors



Adjustable panels, Panels rotate 330 degrees: Large 250 mm, Small 110 mm

Drivers / Built-in

350 mA	CASAMBI DIM	LCM40BLE
--------	-------------	----------

Rated Power	9 W	Kelvin	2700 K, 3000 K
Voltage	220-240V 50/60 Hz,	Lumen	300 lm
Output	17,5V 350 mA	CRI	97 Typ, R9 =91
Cord Length	Brass cover cord 1,4 m, EU socket	Package Size	520 x 385x 210 mm
Frame color	Black RAL 9005 fine efekt, White RAL 9003 fine efekt	Package Weight	3,5 kg

INDOOR USE ONLY      NON-USER REPLACEABLE LIGHT SOURCE      IP20      CE     

Collection