



**WEVER & DUCRÉ**  
LIGHTING

# BLIEK SQUARE 1.0 LED

125261W5

Project	.....
Type	.....
Notes	.....
Quantity	.....
Date	.....

## GENERAL

Ceiling  
Recessed  
Signal White  
IP20  
Interior  
585<sup>a</sup> to 785<sup>b</sup> lm  
9003<sup>c</sup>

## LED

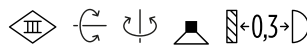
3000 K  
CRI 90  
L80 / 50000 h  
3-step binning

## OPTICAL

Flood  
Beam angle 36°

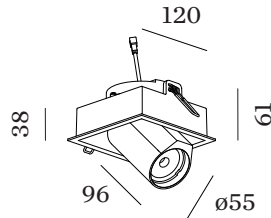
## PHYSICAL

Length 120 mm  
Width 120 mm  
Height 61 mm  
0.47 kg  
Tilt max 60°  
Rotation 355°



## ELECTRICAL

excl. power supply  
18 V  
Total connected power 7.9<sup>a</sup> to 12<sup>b</sup> W  
LED Inset 5.9<sup>a</sup> to 8.7<sup>b</sup> W  
350<sup>a</sup> to 500<sup>b</sup> mA  
PC3  
Safety distance 0.3 m



## CUTOUT

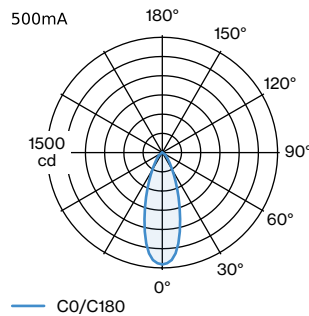
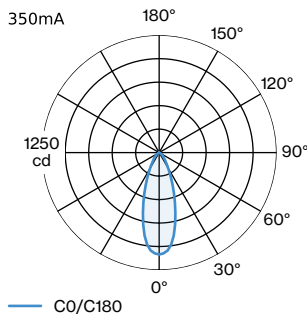
Length 111 mm  
Width 111 mm  
Min. ceiling thickness 4 mm  
Max. ceiling thickness 25 mm  
Recessed depth 75 mm

<sup>a</sup> 350mA

<sup>b</sup> 500mA

<sup>c</sup> RAL Palette colors may deviate slightly due to production conditions.

## LIGHT DISTRIBUTION





**WEVER & DUCRÉ**  
LIGHTING

# BLIEK SQUARE 1.0 LED

125261W5

## CONE DIAGRAM

flood 36° 350mA			flood 36° 500mA		
h (m)	EO° (lx)	ø (m)	h (m)	EO° (lx)	ø (m)
1	1080	0.65	1	1450	0.65
2	271	1.29	2	364	1.29
3	121	1.94	3	162	1.94
4	67	2.59	4	90	2.59
5	43	3.23	5	58	3.23

## ELECTRICAL

### Power Supply 500mA

TYPE	L · W · H (MM)	VOLTAGE	ORDERCODE
10W   11-20V	101.5-51-29.2	11 - 20V	9 0 2 1 4 4 0 5
15W   13.5-30V   phase-cut dim 5-100%	102-51-30	13.5 - 30V	9 0 2 2 4 5 0 1
10W   10-20V   1-10V dim	100-43-22.5	11 - 20V	9 0 2 3 4 4 0 1
20W   5-40V   DALI 0-100%	111-52-22	5-40V	9 0 2 4 4 6 0 2

### Power Supply 350mA

TYPE	L · W · H (MM)	VOLTAGE	ORDERCODE
10W   14-28V   1-10V dim	101.5-51-29.5	14 - 28V	9 0 2 2 3 4 0 1
10W   12-28V   phase-cut dim	102-38-21	12 - 28V	9 0 2 2 3 4 0 2