



WEVER & DUCRÉ
LIGHTING

BLIEK

SQUARE 1.0 PAR16

125220B0

Project
Type
Notes
Quantity
Date

GENERAL

Ceiling
Recessed
Jet Black
IP20
Interior
460 lm
RAL 9005 ^a

LED

Lamp PAR16
PAR16
Socket GU10
max. 12 W
CRI 90

OPTICAL

Flood
Beam angle 50°

PHYSICAL

Length 120 mm
Width 120 mm
Height 61 mm
0.45 kg
wire springs
Tilt max 60°
Rotation 350°

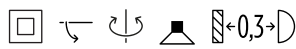
ELECTRICAL

100 - 240 V
LED Inset 6.5 W
Class 2
Safety distance 0.3 m

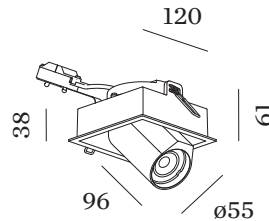
CUTOUT

Length 111 mm
Width 111 mm
Min. ceiling thickness 4 mm
Max. ceiling thickness 25 mm
Recessed depth 75 mm

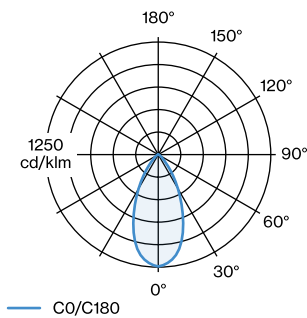
^a Color may deviate slightly due to production conditions.



Squared ceiling recessed downlight made from die-cast aluminium; adjustable; surface Jet Black; powder coated; matt texture; RAL 9005; installation without tools using wire springs; suitable for ceiling thickness of 4-25 mm; recessed depth 75 mm; lamp socket GU10; lamp type PAR16; max. 12W; 100 - 240 V; 350° rotatable and 60° tiltable; degree of protection IP20; PC2; IC rated; lamp not included;



LIGHT DISTRIBUTION



[125220B0] The technical data represent rated values for an ambient temperature of 25°C. The data values for the luminous flux are initially subject to a tolerance of +/- 10%, those for the electrical connected load are initially subject to a tolerance of +/- 10%, and those for the colour temperature are initially subject to a tolerance of +/- 150 K. No liability is assumed for typographical or printing errors. The general terms and conditions of Wever & Ducré BV apply.
© Wever & Ducré BV · Spinnerijstraat 99/21 · 8500 Kortrijk · Belgium · www.weverducre.com



WEVER & DUCRÉ
LIGHTING

BLIEK SQUARE 1.0 PAR16

125220B0

CONE DIAGRAM

flood 50°

h (m)	EO° (lx)	ø (m)
1	572	0.92
2	143	1.85
3	64	2.77
4	36	3.69
5	23	4.62

LAMPS

PAR16 LED Lamp

TYPE	COLOUR	Ø · H (MM)	ORDERCODE
2700K >90 CRI GU10	Black	ø50-58	9 0 1 2 2 8 B 3
3000K >90 CRI GU10	Black	ø50-58	9 0 1 2 2 8 B 5
2700K >90 CRI GU10	White	ø50-58	9 0 1 2 2 8 W 3
3000K >90 CRI GU10	White	ø50-58	9 0 1 2 2 8 W 5
2700K >80 CRI GU10	Silver	ø50-52	9 0 5 2 2 7 S 2
3000K >80 CRI GU10	Silver	ø50-52	9 0 5 2 2 7 S 4