



WEVER & DUCRÉ
LIGHTING

CENO

1.1

176461Q3

Project
Type
Notes
Quantity
Date

GENERAL

Ceiling , Semi-Recessed
 Tilt max 90°
 Rotation 350°
 Bronze
 IP20
 IC rated
 Interior
 Output: 500 lm
 CIE flux code: 99 100 100 100 100

LED

2700 K
 CRI ≥ 90
 L70 / 55000h
 2 SDCM

OPTICAL

Flood , Beam angle 31°

ELECTRICAL

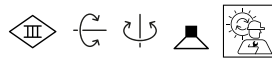
excl. driver
 17 V
 LED Inset 6.0 W
 Class 3
 350 mA

PHYSICAL

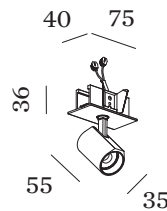
Diameter 35 mm
 Height 55 mm
 0.13 kg
 blade springs

CUTOUT

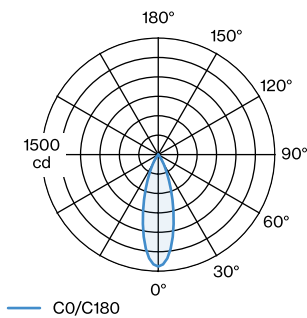
Length 32 mm
 Width 66 mm
 Min. ceiling thickness 4 mm
 Recessed depth 85 mm



Ceiling recessed spotlight made from die-cast aluminium with rectangular base; surface Bronze; wet painted, matt smooth; inner ring black; installation without tools using blade springs; recessed depth 85 mm; with COB (Chip on Board) technology for maximum efficiency; light colour 2700 K; binning initial MacAdam ≤ 2 SDCM; CRI ≥ 90; beam angle 31°; 350° rotatable and 90° tiltable; degree of protection IP20; PC3; IC rated; driver not included; light source replaceable by an authorized professional;



LIGHT DISTRIBUTION



[176461Q3] The technical data represent rated values for an ambient temperature of 25°C. The data values for the luminous flux are initially subject to a tolerance of +/- 10%, those for the electrical connected load are initially subject to a tolerance of +/- 10%, and those for the colour temperature are initially subject to a tolerance of +/- 150 K. No liability is assumed for typographical or printing errors. The general terms and conditions of Wever & Ducré apply.
 © Wever & Ducré BV · Spinnerijstraat 99/21 · 8500 Kortrijk · Belgium · www.weverducre.com



WEVER & DUCRÉ
LIGHTING

CENO

1.1

176461Q3

CONE DIAGRAM

flood 31° 350mA

h (m)	EO° (lx)	ø (m)
1	1440	0.56
2	360	1.12
3	160	1.68
4	90	2.23
5	60	2.79

Maintenance Factors

Operating Time [h]	10 000	20 000	30 000	40 000	50 000
LLMF	0.92	0.87	0.83	0.79	0.75
LSF	1	1	1	1	1

MF	LMF × RSMF × LLMF × LSF	RSMF ^a	Room Surface Maintenance Factor
MF	Maintenance Factor	LLMF	Lamp Lumens Maintenance Factor
LMF ^a	Luminaire Maintenance Factor	LSF	Lamp Survival Faktor

^a According to "CIE 97, Maintenance of indoor electric lighting systems", 2005, ISBN 3-900-734-34-8. The values must be determined by the planner.

OPTICAL

Honeycomb Louver

TYPE	Ø (MM)	ORDERCODE
CENO PIRRO BLIEK ROUND PETIT	29	9 0 5 1 1 3 1

ELECTRICAL

Driver

TYPE	L · W · H (MM)	VOLTAGE	ORDERCODE
6W 350mA	67-39-22	8.6-18V	9 0 2 1 3 3 0 3
10W 350mA 1-10V dim	101.5-51-29.5	14-28V	9 0 2 2 3 4 0 1
10W 350mA phase-cut dim	102-38-21	12-28V	9 0 2 2 3 4 0 2
10W 350mA	115-41-25	13-26V	9 0 2 2 3 4 0 6
14W 350mA	145-33-21	2.5-42V	9 0 2 4 3 5 0 1
17W 350mA 10-49V DALI	108-52-22	10-49V	9 0 2 4 3 6 0 1