



WEVER & DUCRÉ
LIGHTING

COSTA 2.0

865286OR9

Project
Type
Notes
Quantity
Date

GENERAL

Floor
Surface
White LLDPE + Traffic Orange
IP65
Exterior
130 lm

LED

4000 K
CRI 80
L90 / 50000 h
3-step binning

PHYSICAL

Diameter 280 mm
Height 350 mm
1.1 kg

ELECTRICAL

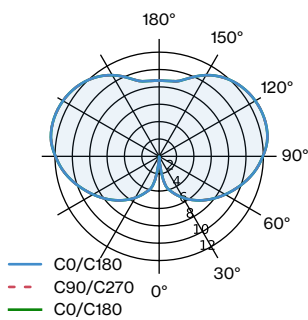
110 - 220 V
Total connected power 2.5 W
PC3



IP65



LIGHT DISTRIBUTION





WEVER & DUCRÉ
LIGHTING

COSTA 2.0

865286OR9

Maintenance Factors

Operating Time [h]	10 000	20 000	30 000	40 000	50 000
LLMF	0.98	0.95	0.93	0.91	0.9
LSF	1	1	1	1	1

MF	LMF × RSMF × LLMF × LSF	RSMF ^a	Room Surface Maintenance Factor
MF	Maintenance Factor	LLMF	Lamp Lumens Maintenance Factor
LMF ^a	Luminaire Maintenance Factor	LSF	Lamp Survival Faktor

^a According to "CIE 97, Maintenance of indoor electric lighting systems", 2005, ISBN 3-900-734-34-8. The values must be determined by the planner.

ROPE

Rope

TYPE	COLOUR	Ø-H (MM)	ORDERCODE
COSTA 2.0	Jet Black	ø280-285	9 0 0 5 7 1 9 0
COSTA 2.0	Traffic Orange	ø280-285	9 0 0 5 7 1 9 1
COSTA 2.0	Colza Yellow	ø280-285	9 0 0 5 7 1 9 2
COSTA 2.0	Water Blue	ø280-285	9 0 0 5 7 1 9 3

POLE

POLE

TYPE	Ø-H (MM)	ORDERCODE
COSTA	450-ø350-1800	9 0 0 5 6 0 0 1

CAGE

Cage

TYPE	COLOUR	ORDERCODE
COSTA 2.0	Jet Black	9 0 0 5 7 1 8 0
COSTA 2.0	Traffic Orange	9 0 0 5 7 1 8 1
COSTA 2.0	Colza Yellow	9 0 0 5 7 1 8 2
COSTA 2.0	Water Blue	9 0 0 5 7 1 8 3