



WEVER & DUCRÉ
LIGHTING

DEEP bijou IP65 1.0

165361Q3

Project

Type

Notes

Quantity

Date

GENERAL

Ceiling, Recessed

Bronze

IP65

IC rated

Exterior

Output: 425 lm

CIE flux code: 99 100 100 100 100

LED

2700 K

CRI ≥ 90

L80 / 55000h

2 SDCM

OPTICAL

Flood, Beam angle 30°

ELECTRICAL

excl. driver

8 V

LED Inset 4.1 W

Class 3

500 mA

PHYSICAL

Diameter 57 mm

Height 55 mm

0.09 kg

wire springs

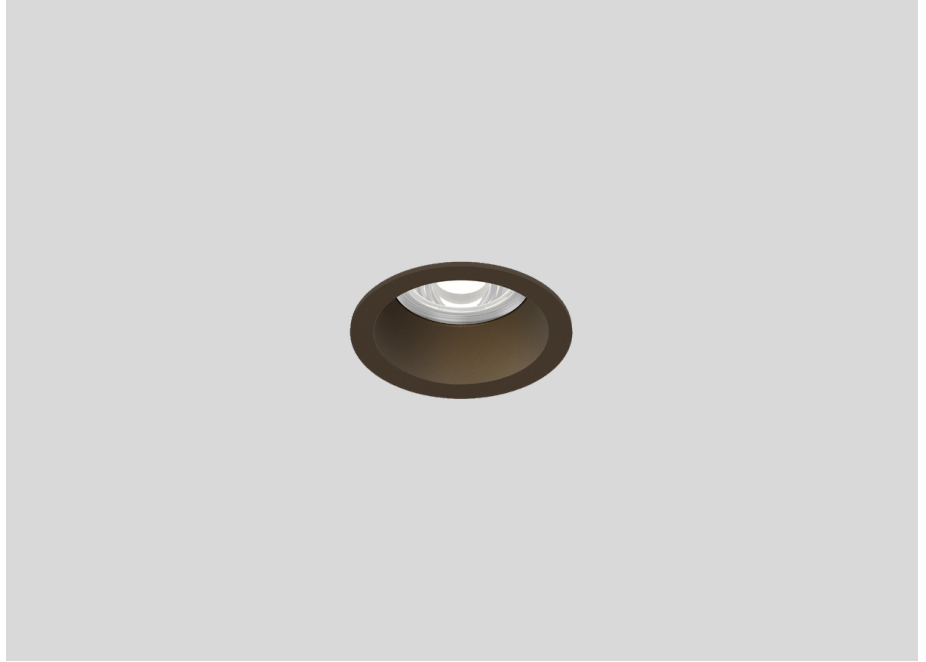
CUTOUT




Diameter 50-52 mm

Min. ceiling thickness 4 mm

Max. ceiling thickness 25 mm

Recessed depth 85 mm

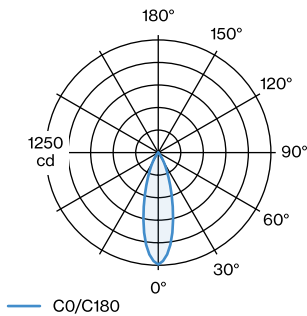


IP65   

Round ceiling recessed downlight made from die-cast aluminium; surface Bronze; powder coated; matt texture; installation without tools using wire springs; suitable for ceiling thickness of 4-25 mm; recessed depth 85 mm; beam angle 30°; with COB (Chip on Board) technology for maximum efficiency; light colour 2700 K; binning initial MacAdam ≤ 2 SDCM; CRI ≥ 90 ; UGR ≤ 16 ; degree of protection IP65; PC3; IC rated; driver not included; light source not replaceable;



LIGHT DISTRIBUTION





WEVER & DUCRÉ
LIGHTING

DEEP

bijou IP65 1.0

165361Q3

CONE DIAGRAM

flood 30° 500mA

h (m)	E0° (lx)	ø (m)
1	1240	0.54
2	310	1.07
3	140	1.61
4	80	2.15
5	50	2.68

ELECTRICAL

Driver

TYPE	L · W · H (MM)	VOLTAGE	ORDERCODE
6W 500mA 3-12V	68·35·21	3-12V	9 0 2 1 4 2 0 1
7W 500mA 5-14,5V IP67	57·41·24	5-14,5V	9 0 2 1 4 3 0 1
6.5W 500mA 7-13V phase-cut dim	122·41·23	7-13V	9 0 2 2 4 3 0 1