



WEVER & DUCRÉ
LIGHTING

DEEPER IP44 1.0 PAR16

152220B0

Project

Type

Notes

Quantity

Date

GENERAL

Ceiling

Recessed

Jet Black

IP44

Interior

370 lm

RAL 9005^a

LED

Lamp PAR16

PAR16

Socket GU10

max. 12 W

CRI 90

OPTICAL

Wide Flood

Beam angle 48°

PHYSICAL

Diameter 84 mm

Height 112 mm

0.15 kg

ELECTRICAL

100 - 240 V

LED Inset 6.5 W

Class 2

Safety distance 0.3 m

CUTOUT

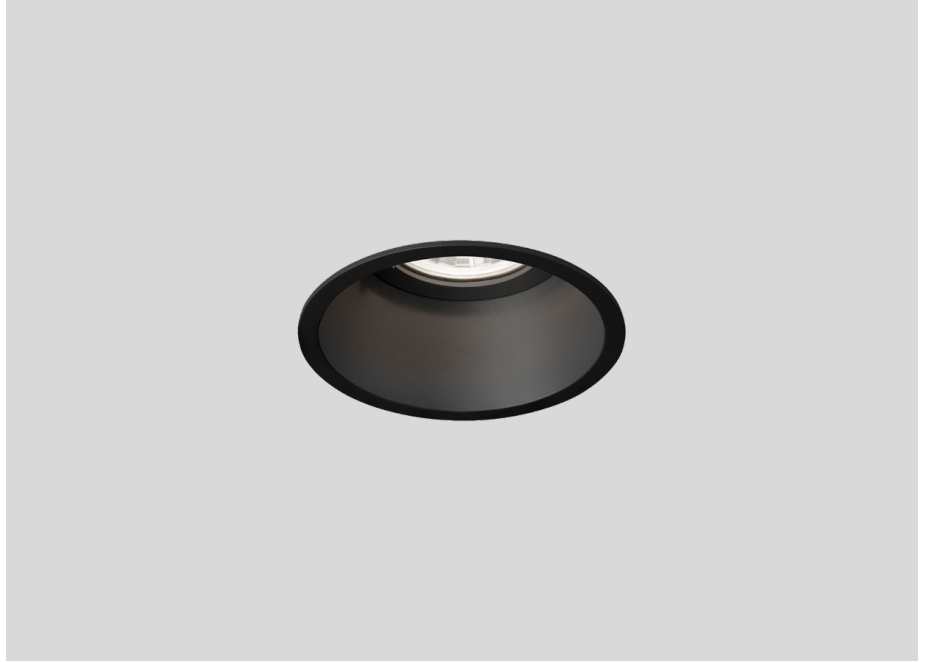
Diameter 76-79 mm

Min. ceiling thickness 4 mm

Max. ceiling thickness 38 mm

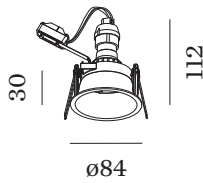
Recessed depth 115 mm

^a Color may deviate slightly due to production conditions.

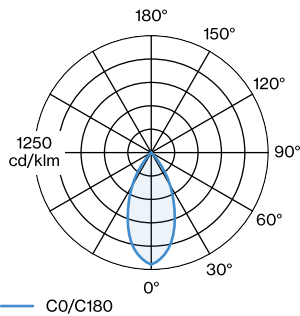


IP44 $\pm 0,3 \rightarrow$

Round ceiling recessed downlight made from die-cast aluminium; surface Jet Black; powder coated; matt texture; RAL 9005; installation without tools using wire springs; suitable for ceiling thickness of 4-38 mm; recessed depth 115 mm; lamp socket GU10; lamp type PAR16; max. 12W; 100 - 240 V; degree of protection from below IP44; from above IP20; PC2; lamp not included;



LIGHT DISTRIBUTION



[152220B0] The technical data represent rated values for an ambient temperature of 25°C. The data values for the luminous flux are initially subject to a tolerance of +/- 10%, those for the electrical connected load are initially subject to a tolerance of +/- 10%, and those for the colour temperature are initially subject to a tolerance of +/- 150 K. No liability is assumed for typographical or printing errors. The general terms and conditions of Wever & Ducré BV apply.
© Wever & Ducré BV · Spinnerijstraat 99/21 · 8500 Kortrijk · Belgium · www.weverducre.com



WEVER & DUCRÉ
LIGHTING

DEEPER IP44 1.0 PAR16

152220B0

CONE DIAGRAM

wide flood 48°

h (m)	EO° (lx)	ø (m)
1	550	0.89
2	138	1.78
3	61	2.66
4	34	3.55
5	22	4.44

LAMPS

PAR16 LED Lamp

TYPE	COLOUR	Ø·H (MM)	ORDERCODE
2700K >90 CRI GU10	Black	ø50·58	9 0 1 2 2 8 B 3
3000K >90 CRI GU10	Black	ø50·58	9 0 1 2 2 8 B 5
2700K >90 CRI GU10	White	ø50·58	9 0 1 2 2 8 W 3
3000K >90 CRI GU10	White	ø50·58	9 0 1 2 2 8 W 5
2700K >80 CRI GU10	Silver	ø50·52	9 0 5 2 2 7 S 2
3000K >80 CRI GU10	Silver	ø50·52	9 0 5 2 2 7 S 4