

FEATURES

- High end aluminum heatsink with a unique elegant design
- PCB with a high power Lumileds Powerleds in 2700K, 3000K and 4000K
- Illuxtron patented optical lens system that makes pin-hole light possible
- Anti glare cap that ensures no stray light. The total light opening is only 8mm!

Bartenbach
lighting optics



SPRINGS

Standard with WS springs (gyproc/metal). Also available as above with CS springs (concrete).



COLOURS

Available colours:



Matt white RAL 9016 (XX=MW)
Matt black RAL 9005 (XX=BL)

Pointer Spot 68 adj

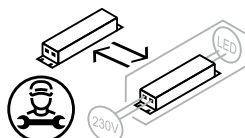
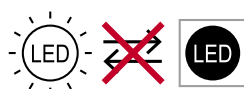
Adjustable

SPECIFICATIONS

Beam angle (FWHM)	35° (45° FWTM) / 60° (80° FWTM)
Fixture material	Die cast aluminium
Environment	Indoor
IK rate	IK10
Operating temperature (Ta)	-20°C / +45°C ¹
Safety marks	EN60598 / EN62031 / EN62471
EMC compliance	EN55015
Colour consistency (SDCM)	MacAdam step 3
Warranty	7 years * (within the European Union and the countries of the Free Trade Association for products delivered after 1 May 2015)
Energy class	This product contains a light source of energy efficiency class F (2700K/3000K) and class E (4000K)

This luminaire contains built-in LED lamps. There are no exchangeable parts inside the luminaire. EU 874/2012

¹ In applications with a flat roof (fi. car showrooms) the temperatures may exceed 45°C. Please ask our sales office for a special driver.

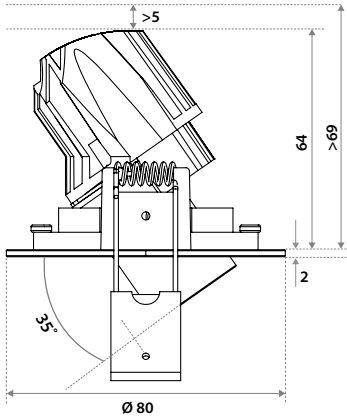


IP20

POINTER SPOT 68 ADJ VARIATIONS

Pointer Spot 68 adj LV	220-240V	incl. power supply	page 3
Pointer Spot 68 adj LVC	500mA	to be connected to a central power supply	page 4

DIMENSIONS



HOLE SIZE



Using WS springs: Ø 68-75 mm.
Thickness ceiling 1-15 mm
& recess depth 69 mm.



Using CS springs: Ø 68-75 mm.
Thickness ceiling 5-69 mm
& recess depth 69 mm.

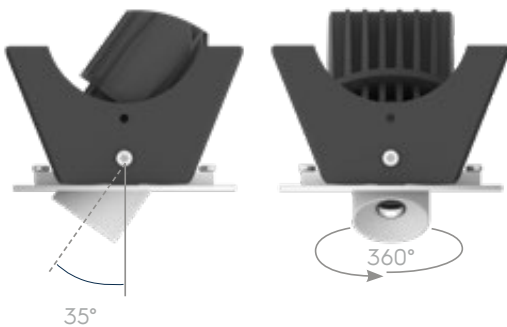
FIRE RATING TUBE

Description	Item code	Hole size	time
Fire rating tube 68	009F03MW0000	ø74x71mm	90 min.



⚠ Only in combination with WS (wire) springs versions.

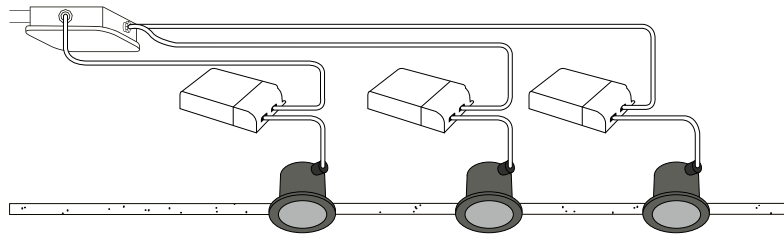
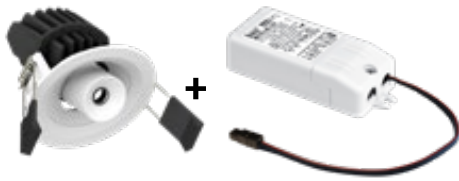
ADJUSTMENT OPTIONS



POINTER SPOT 68 ADJ (dimmable - incl. individual power supply)

220-240V

Downlight incl. PSU



ITEM SPECIFICATIONS (PART A)

Description	Item code WS	Item code CS	Input	W	Lm	Lm/W	CRI (typ.)	UGR	Pf	Ripple	Inrush current	B-16A Fuse
Pointer Spot 68 adj LV 35° 350 Lm 2700K Triac dim	0Q2703XXWN13	0Q2703XXLG13	220-240V	6,6	350	53	82	6.7	0.96	<20%	2A 50µS	50 pcs
Pointer Spot 68 adj LV 35° 375 Lm 3000K Triac dim	0Q2703XXWP13	0Q2703XXLH13	220-240V	6,6	375	57	82	6.9	0.96	<20%	2A 50µS	50 pcs
Pointer Spot 68 adj LV 35° 400 Lm 4000K Triac dim	0Q2703XXWG13	0Q2703XXLJ13	220-240V	6,6	400	61	82	7.2	0.96	<20%	2A 50µS	50 pcs
Pointer Spot 68 adj LV 60° 400 Lm 2700K Triac dim	0Q2703XXWR13	0Q2703XXLK13	220-240V	6,6	400	61	82	17.1	0.96	<20%	2A 50µS	50 pcs
Pointer Spot 68 adj LV 60° 425 Lm 3000K Triac dim	0Q2703XXWS13	0Q2703XXLL13	220-240V	6,6	425	64	82	17.3	0.96	<20%	2A 50µS	50 pcs
Pointer Spot 68 adj LV 60° 450 Lm 4000K Triac dim	0Q2703XXWT13	0Q2703XXLM13	220-240V	6,6	450	68	82	17.5	0.96	<20%	2A 50µS	50 pcs
Pointer Spot 68 adj LV 35° 350 Lm 2700K 1-10V & Push	0Q2703XXXG13	0Q2703XXWG13	220-240V	6,6	350	53	82	6.7	0.95	<3%	5A 50µS	50 pcs
Pointer Spot 68 adj LV 35° 375 Lm 3000K 1-10V & Push	0Q2703XXXH13	0Q2703XXWH13	220-240V	6,6	375	57	82	6.9	0.95	<3%	5A 50µS	50 pcs
Pointer Spot 68 adj LV 35° 400 Lm 4000K 1-10V & Push	0Q2703XXXJ13	0Q2703XXWJ13	220-240V	6,6	400	61	82	7.2	0.95	<3%	5A 50µS	50 pcs
Pointer Spot 68 adj LV 60° 400 Lm 2700K 1-10V & Push	0Q2703XXXK13	0Q2703XXWK13	220-240V	6,6	400	61	82	17.1	0.95	<3%	5A 50µS	50 pcs
Pointer Spot 68 adj LV 60° 425 Lm 3000K 1-10V & Push	0Q2703XXXL13	0Q2703XXWL13	220-240V	6,6	425	64	82	17.3	0.95	<3%	5A 50µS	50 pcs
Pointer Spot 68 adj LV 60° 450 Lm 4000K 1-10V & Push	0Q2703XXXM13	0Q2703XXWM13	220-240V	6,6	450	68	82	17.5	0.95	<3%	5A 50µS	50 pcs
Pointer Spot 68 adj LV 35° 350 Lm 2700K Dali	0Q2703XXW013	0Q2703XXL013	220-240V	6,6	350	53	82	6.7	0.95	<3%	5A 50µS	50 pcs
Pointer Spot 68 adj LV 35° 375 Lm 3000K Dali	0Q2703XXW113	0Q2703XXL113	220-240V	6,6	375	57	82	6.9	0.95	<3%	5A 50µS	50 pcs
Pointer Spot 68 adj LV 35° 400 Lm 4000K Dali	0Q2703XXW213	0Q2703XXL213	220-240V	6,6	400	61	82	7.2	0.95	<3%	5A 50µS	50 pcs
Pointer Spot 68 adj LV 60° 400 Lm 2700K Dali	0Q2703XXW313	0Q2703XXL313	220-240V	6,6	400	61	82	17.1	0.95	<3%	5A 50µS	50 pcs
Pointer Spot 68 adj LV 60° 425 Lm 3000K Dali	0Q2703XXW413	0Q2703XXL413	220-240V	6,6	425	64	82	17.3	0.95	<3%	5A 50µS	50 pcs
Pointer Spot 68 adj LV 60° 450 Lm 4000K Dali	0Q2703XXW513	0Q2703XXL513	220-240V	6,6	450	68	82	17.5	0.95	<3%	5A 50µS	50 pcs

ITEM SPECIFICATIONS (PART B)

Description	Safety class	Energy class	Weight	Dimensions single carton	Quantity per carton	Expected lifespan B10 reported (25°C)		
						L70B10	L80B10	L90B10
Pointer Spot 68 adj LV 2700K	II	F	276 gr	105x105x61 mm	42 pcs	>60.000 hrs	>60.000 hrs	>60.000 hrs
Pointer Spot 68 adj LV 3000K	II	F	276 gr	105x105x61 mm	42 pcs	>60.000 hrs	>60.000 hrs	>60.000 hrs
Pointer Spot 68 adj LV 4000K	II	E	276 gr	105x105x61 mm	42 pcs	>60.000 hrs	>60.000 hrs	>60.000 hrs

All values are measured at 230V (+/- 7%)

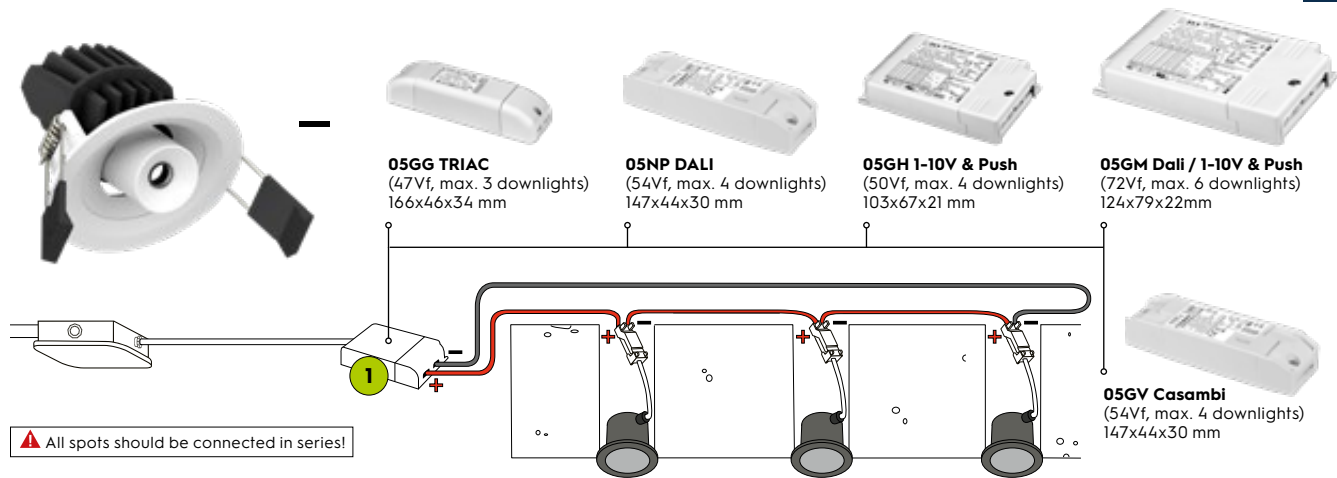
INCL. PSU

- PSU TCI 127042 Triac dim 102x38x21 mm
- PSU TCI 123400 1-10V & Push 102x38x21 mm
- PSU TCI 127576 Dali 147x44x22 mm



POINTER SPOT 68 ADJ (dimmable - excl. central power supply)

500 mA



ITEM SPECIFICATIONS (PART A)

Description	Item code WS	Item code CS	Input	Vf	W	Lm	Lm/W	CRI (typ.)	UGR	Pf	Ripple	Inrush current	B-16A Fuse
Pointer Spot 68 adj LVC 500mA 35° 350 Lm 2700K	0Q2703XXWN11	0Q2703XXLG11	500mA	11,4	5,7	350	61	82	61	x	x	x	x
Pointer Spot 68 adj LVC 500mA 35° 375 Lm 3000K	0Q2703XXWP11	0Q2703XXLH11	500mA	11,4	5,7	375	66	82	66	x	x	x	x
Pointer Spot 68 adj LVC 500mA 35° 400 Lm 4000K	0Q2703XXWQ11	0Q2703XXLJ11	500mA	11,4	5,7	400	70	82	70	x	x	x	x
Pointer Spot 68 adj LVC 500mA 60° 400 Lm 2700K	0Q2703XXWR11	0Q2703XXLK11	500mA	11,4	5,7	400	70	82	70	x	x	x	x
Pointer Spot 68 adj LVC 500mA 60° 425 Lm 3000K	0Q2703XXWS11	0Q2703XXLL11	500mA	11,4	5,7	425	75	82	75	x	x	x	x
Pointer Spot 68 adj LVC 500mA 60° 450 Lm 4000K	0Q2703XXWT11	0Q2703XXLM11	500mA	11,4	5,7	450	79	82	79	x	x	x	x

ITEM SPECIFICATIONS (PART B)

Description	Safety class	Energy class	Weight	Dimensions single carton	Quantity per carton	Expected lifespan B10 reported (25°C)		
						L70B10	L80B10	L90B10
Pointer Spot 68 adj LVC 500mA	III	A	226 gr	105x105x61 mm	42 pcs	>60.000 hrs	>60.000 hrs	>60.000 hrs

ITEM SPECIFICATIONS (PSU)

Description	Item code	Input	Watt	Current	Efficiency	Pf	Ripple	Weight	Inrush current	B-16A Fuse
PSU 24W 500mA Triac (I)	05GG03MLME00	220-240V	24W (47Vf)	500mA	85%	0.97	<3%	138 gr	5A 50µS	50 pcs
PSU 27W 500mA Dali (I)	05NP03MLME00	220-240V	27W (54Vf)	500mA	90%	0.95	<3%	139 gr	5A 50µS	50 pcs
PSU 25W 500mA 1-10V & Push (I)	05GH03MLME00	220-240V	25W (50Vf)	500mA	90%	0.95	<3%	138 gr	5A 50µS	50 pcs
PSU 27W 500mA Casambi (I)	05GV03MLME00	220-240V	27W (54Vf)	500mA	90%	0.95	<3%	139 gr	5A 50µS	50 pcs
PSU 35W 500mA Dali / 1-10V & Push (I)	05GM03MLME00	220-240V	35W (72Vf)	500mA	89%	0.95	<3%	218 gr	20A 400µS	50 pcs

All values are measured at 230V (+/- 7%)

INCLUDING CONNECTION BOX

For installation to a central power supply.

