

FEATURES

- High end aluminum heatsink with a unique elegant design
- PCB with a high power Lumileds Powerleds in 2700K, 3000K and 4000K
- Illuxtron patented optical lens system that makes pin-hole light possible
- Anti glare cap that ensures no stray light. The total light opening is only 8mm!

Bartenbach[®]
lighting optics



SPRINGS

Standard with WS springs (gyproc/metal). Also available as above with CS springs (concrete).



COLOURS

Available colours:



Matt white RAL 9016 (XX=MW)
Matt black RAL 9005 (XX=BL)

Pointer Spot 75 LV

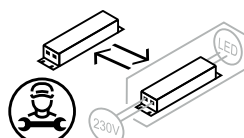
Adjustable

SPECIFICATIONS

| | |
|-----------------------------------|---|
| Beam angle (FWHM) | 35° (45° FWTM) / 60° (80° FWTM) |
| Fixture material | Die cast aluminium |
| Environment | Indoor |
| IK rate | IK10 |
| Operating temperature (Ta) | -20°C / +45°C ¹ |
| Safety marks | EN60598 / EN62031 / EN62471 |
| EMC compliance | EN55015 |
| Colour consistency (SDCM) | MacAdam step 3 |
| Warranty | 7 years * (within the European Union and the countries of the Free Trade Association for products delivered after 1 May 2015) |
| Energy class | This product contains a light source of energy efficiency class F (2700K/3000K) and class E (4000K) |

This luminaire contains built-in LED lamps. There are no exchangeable parts inside the luminaire. EU 874/2012

¹ In applications with a flat roof (fi. car showrooms) the temperatures may exceed 45°C. Please ask our sales office for a special driver.

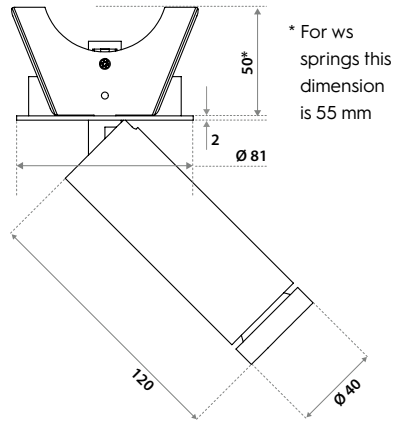


IP20

POINTER SPOT 75 LV VARIATIONS

| | | | |
|----------------------|----------|---|--------|
| Pointer Spot 75 LV | 220-240V | incl. power supply | page 3 |
| Pointer Spot 75 LV-C | 700mA | to be connected to a central power supply | page 4 |

DIMENSIONS



HOLE SIZE



Using CS springs: Ø 75 mm.
Thickness ceiling 5-60 mm
& recess depth 55 mm.



Using WS springs: Ø 77 mm.
Thickness ceiling 1-55 mm
& recess depth 60 mm.

FIRE RATING TUBE

| Description | Item code | Hole size | time |
|---------------------|--------------|-----------|---------|
| Fire rating tube 75 | 009G03MW0000 | ø76x86mm | 90 min. |

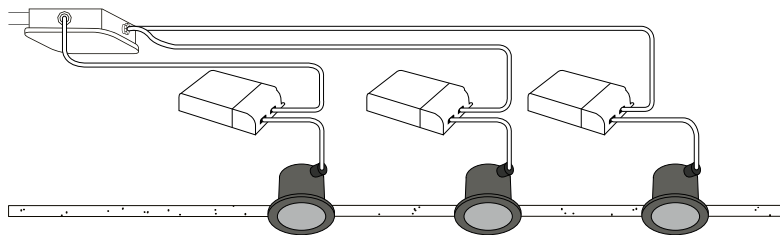


⚠ Only in combination with WS (wire) springs versions.

POINTER SPOT 75 LV (dimmable - incl. individual power supply)

220-240V

Downlight incl. PSU



ITEM SPECIFICATIONS (PART A)

| Description | Item code CS | Item code WS | Input | W | Lm | Lm/W | CRI (typ.) | UGR | Pf | Ripple | Inrush current | B-16A Fuse |
|--|--------------|--------------|----------|-----|-----|------|------------|------|------|--------|----------------|------------|
| Pointer Spot 75 LV 35° 500 Lm 2700K No dim | OT2703XXLU02 | OT2703XXWA02 | 220-240V | 9,2 | 500 | 54 | 85 | 9,8 | 0,95 | <3% | 5A 50µS | 50 pcs |
| Pointer Spot 75 LV 35° 525 Lm 3000K No dim | OT2703XXLV02 | OT2703XXWB02 | 220-240V | 9,2 | 525 | 57 | 85 | 9,9 | 0,95 | <3% | 5A 50µS | 50 pcs |
| Pointer Spot 75 LV 35° 550 Lm 4000K No dim | OT2703XXLW02 | OT2703XXWC02 | 220-240V | 9,2 | 550 | 60 | 85 | 10,1 | 0,95 | <3% | 5A 50µS | 50 pcs |
| Pointer Spot 75 LV 60° 550 Lm 2700K No dim | OT2703XXLX02 | OT2703XXWD02 | 220-240V | 9,2 | 550 | 60 | 85 | 20 | 0,95 | <3% | 5A 50µS | 50 pcs |
| Pointer Spot 75 LV 60° 600 Lm 3000K No dim | OT2703XXLY02 | OT2703XXWE02 | 220-240V | 9,2 | 600 | 65 | 85 | 20,3 | 0,95 | <3% | 5A 50µS | 50 pcs |
| Pointer Spot 75 LV 60° 650 Lm 4000K No dim | OT2703XXLZ02 | OT2703XXWF02 | 220-240V | 9,2 | 650 | 71 | 85 | 20,6 | 0,95 | <3% | 5A 50µS | 50 pcs |
| Pointer Spot 75 LV 35° 500 Lm 2700K Triac dim | OT2703XXLG02 | OT2703XXWN02 | 220-240V | 9,2 | 500 | 54 | 85 | 9,8 | 0,96 | <20% | 2A 50µS | 50 pcs |
| Pointer Spot 75 LV 35° 525 Lm 3000K Triac dim | OT2703XXLH02 | OT2703XXWP02 | 220-240V | 9,2 | 525 | 57 | 85 | 9,9 | 0,96 | <20% | 2A 50µS | 50 pcs |
| Pointer Spot 75 LV 35° 550 Lm 4000K Triac dim | OT2703XXLJ02 | OT2703XXWQ02 | 220-240V | 9,2 | 550 | 60 | 85 | 10,1 | 0,96 | <20% | 2A 50µS | 50 pcs |
| Pointer Spot 75 LV 60° 550 Lm 2700K Triac dim | OT2703XXLK02 | OT2703XXWR02 | 220-240V | 9,2 | 550 | 60 | 85 | 20 | 0,96 | <20% | 2A 50µS | 50 pcs |
| Pointer Spot 75 LV 60° 600 Lm 3000K Triac dim | OT2703XXLL02 | OT2703XXWS02 | 220-240V | 9,2 | 600 | 65 | 85 | 20,3 | 0,96 | <20% | 2A 50µS | 50 pcs |
| Pointer Spot 75 LV 60° 650 Lm 4000K Triac dim | OT2703XXLM02 | OT2703XXWT02 | 220-240V | 9,2 | 650 | 71 | 85 | 20,6 | 0,96 | <20% | 2A 50µS | 50 pcs |
| Pointer Spot 75 LV 35° 500 Lm 2700K 1-10V & Push | OT2703XXWG02 | OT2703XXG02 | 220-240V | 9,2 | 500 | 54 | 85 | 9,8 | 0,95 | <3% | 5A 50µS | 50 pcs |
| Pointer Spot 75 LV 35° 525 Lm 3000K 1-10V & Push | OT2703XXWH02 | OT2703XXH02 | 220-240V | 9,2 | 525 | 57 | 85 | 9,9 | 0,95 | <3% | 5A 50µS | 50 pcs |
| Pointer Spot 75 LV 35° 550 Lm 4000K 1-10V & Push | OT2703XXWJ02 | OT2703XXI02 | 220-240V | 9,2 | 550 | 60 | 85 | 10,1 | 0,95 | <3% | 5A 50µS | 50 pcs |
| Pointer Spot 75 LV 60° 550 Lm 2700K 1-10V & Push | OT2703XXWK02 | OT2703XXK02 | 220-240V | 9,2 | 550 | 60 | 85 | 20 | 0,95 | <3% | 5A 50µS | 50 pcs |
| Pointer Spot 75 LV 60° 600 Lm 3000K 1-10V & Push | OT2703XXWL02 | OT2703XXL02 | 220-240V | 9,2 | 600 | 65 | 85 | 20,3 | 0,95 | <3% | 5A 50µS | 50 pcs |
| Pointer Spot 75 LV 60° 650 Lm 4000K 1-10V & Push | OT2703XXWM02 | OT2703XXM02 | 220-240V | 9,2 | 650 | 71 | 85 | 20,6 | 0,95 | <3% | 5A 50µS | 50 pcs |
| Pointer Spot 75 LV 35° 500 Lm 2700K Dali | OT2703XXL002 | OT2703XXW002 | 220-240V | 9,2 | 500 | 54 | 85 | 9,8 | 0,95 | <3% | 5A 50µS | 50 pcs |
| Pointer Spot 75 LV 35° 525 Lm 3000K Dali | OT2703XXL102 | OT2703XXW102 | 220-240V | 9,2 | 525 | 57 | 85 | 9,9 | 0,95 | <3% | 5A 50µS | 50 pcs |
| Pointer Spot 75 LV 35° 550 Lm 4000K Dali | OT2703XXL202 | OT2703XXW202 | 220-240V | 9,2 | 550 | 60 | 85 | 10,1 | 0,95 | <3% | 5A 50µS | 50 pcs |
| Pointer Spot 75 LV 60° 550 Lm 2700K Dali | OT2703XXL302 | OT2703XXW302 | 220-240V | 9,2 | 550 | 60 | 85 | 20 | 0,95 | <3% | 5A 50µS | 50 pcs |
| Pointer Spot 75 LV 60° 600 Lm 3000K Dali | OT2703XXL402 | OT2703XXW402 | 220-240V | 9,2 | 600 | 65 | 85 | 20,3 | 0,95 | <3% | 5A 50µS | 50 pcs |
| Pointer Spot 75 LV 60° 650 Lm 4000K Dali | OT2703XXL502 | OT2703XXW502 | 220-240V | 9,2 | 650 | 71 | 85 | 20,6 | 0,95 | <3% | 5A 50µS | 50 pcs |

ITEM SPECIFICATIONS (PART B)

| Description | Safety class | Energy class | Weight | Dimensions single carton | Quantity per carton | Expected lifespan B10 reported (25°C) | | |
|--------------------------|--------------|--------------|--------|--------------------------|---------------------|---------------------------------------|-------------|-------------|
| | | | | | | L70B10 | L80B10 | L90B10 |
| Pointer Spot 75 LV 2700K | II | F | 276 gr | 105x105x61 mm | 42 pcs | >60.000 hrs | >60.000 hrs | >60.000 hrs |
| Pointer Spot 75 LV 3000K | II | F | 276 gr | 105x105x61 mm | 42 pcs | >60.000 hrs | >60.000 hrs | >60.000 hrs |
| Pointer Spot 75 LV 4000K | II | E | 276 gr | 105x105x61 mm | 42 pcs | >60.000 hrs | >60.000 hrs | >60.000 hrs |

All values are measured at 230V (+/- 7%)

INCL. PSU

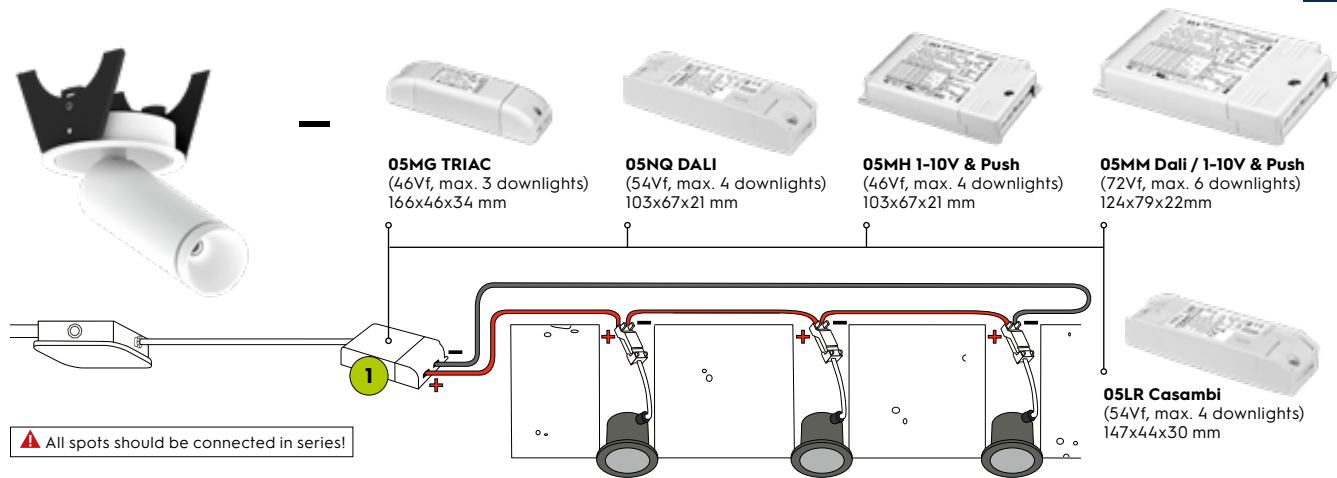
| | |
|-----------------------------|--------------|
| PSU TCI 127042 Triac dim | 102x38x21 mm |
| PSU TCI 123400 1-10V & Push | 102x38x21 mm |
| PSU TCI 127576 Dali | 147x44x22 mm |



Cable
150 mm

POINTER SPOT 75 (dimmable - excl. central power supply)

700 mA



ITEM SPECIFICATIONS (PART A)

| Description | Item code CS | Item code WS | Input | Vf | W | Lm | Lm/W | CRI (typ.) | UGR | Pf | Ripple | Inrush current | B-16A Fuse |
|---|--------------|--------------|-------|------|---|-----|------|------------|------|----|--------|----------------|------------|
| Pointer Spot 75 LV-C 700mA 35° 500 Lm 2700K | 0T2703XXLGE2 | 0T2703XXWNE2 | 700mA | 11,4 | 8 | 500 | 63 | 85 | 9,8 | x | x | x | x |
| Pointer Spot 75 LV-C 700mA 35° 525 Lm 3000K | 0T2703XXLHE2 | 0T2703XXWPE2 | 700mA | 11,4 | 8 | 525 | 66 | 85 | 9,9 | x | x | x | x |
| Pointer Spot 75 LV-C 700mA 35° 550 Lm 4000K | 0T2703XXLJE2 | 0T2703XXWQE2 | 700mA | 11,4 | 8 | 550 | 69 | 85 | 10,1 | x | x | x | x |
| Pointer Spot 75 LV-C 700mA 60° 550 Lm 2700K | 0T2703XXLKE2 | 0T2703XXWRE2 | 700mA | 11,4 | 8 | 550 | 69 | 85 | 20 | x | x | x | x |
| Pointer Spot 75 LV-C 700mA 60° 600 Lm 3000K | 0T2703XXLLE2 | 0T2703XXWSE2 | 700mA | 11,4 | 8 | 600 | 75 | 85 | 20,3 | x | x | x | x |
| Pointer Spot 75 LV-C 700mA 60° 650 Lm 4000K | 0T2703XXLME2 | 0T2703XXWTE2 | 700mA | 11,4 | 8 | 650 | 81 | 85 | 20,6 | x | x | x | x |

ITEM SPECIFICATIONS (PART B)

| Description | Safety class | Energy class | Weight | Dimensions single carton | Quantity per carton | Expected lifespan B10 reported (25°C) | | |
|----------------------------------|--------------|--------------|--------|--------------------------|---------------------|---------------------------------------|-------------|-------------|
| | | | | | | L70B10 | L80B10 | L90B10 |
| Pointer Spot 75 LV-C 700mA 2700K | III | F | 226 gr | 105x105x61 mm | 42 pcs | >60.000 hrs | >60.000 hrs | >60.000 hrs |
| Pointer Spot 75 LV-C 700mA 3000K | III | F | 226 gr | 105x105x61 mm | 42 pcs | >60.000 hrs | >60.000 hrs | >60.000 hrs |
| Pointer Spot 75 LV-C 700mA 4000K | III | E | 226 gr | 105x105x61 mm | 42 pcs | >60.000 hrs | >60.000 hrs | >60.000 hrs |

ITEM SPECIFICATIONS (PSU)

| Description | Item code | Input | Watt | Current | Efficiency | Pf | Ripple | Weight | Inrush current | B-16A Fuse |
|---------------------------------------|--------------|----------|------------|---------|------------|------|--------|--------|----------------|------------|
| PSU 32W 700mA Triac (I) | 05MG03MLMF00 | 220-240V | 32W (46Vf) | 700mA | 85% | 0,97 | <3% | 138 gr | 5A 50µS | 50 pcs |
| PSU 38W 700mA Dali (I) | 05NQ03MLMF00 | 220-240V | 38W (54Vf) | 700mA | 90% | 0,95 | <3% | 139 gr | 5A 50µS | 50 pcs |
| PSU 32W 700mA 1-10V & Push (I) | 05MH03MLMF00 | 220-240V | 32W (46Vf) | 700mA | 90% | 0,95 | <3% | 138 gr | 5A 50µS | 50 pcs |
| PSU 36W 700mA Casambi (I) | 05LR03MLMD00 | 220-240V | 36W (51Vf) | 700mA | 90% | 0,95 | <3% | 139 gr | 5A 50µS | 50 pcs |
| PSU 50W 700mA Dali / 1-10V & Push (I) | 05MM03MLMF00 | 220-240V | 50W (72Vf) | 700mA | 89% | 0,95 | <3% | 218 gr | 20A 400µS | 50 pcs |

All values are measured at 230V (+/- 7%)

INCLUDING CONNECTION BOX

For installation to a central power supply.

