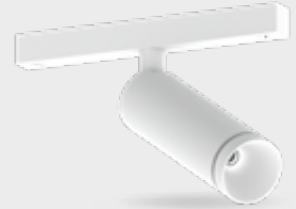
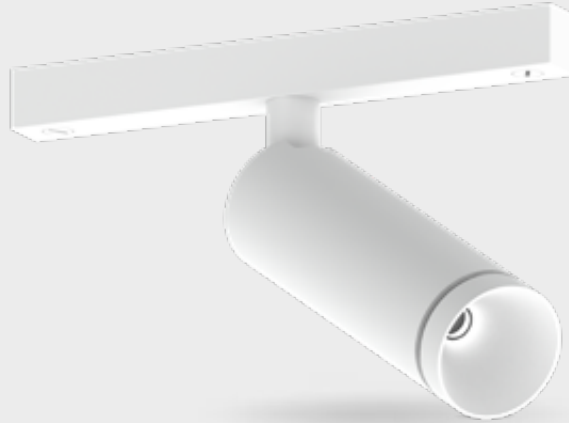


FEATURES

- High end aluminum heatsink with a unique elegant design
- PCB with a high power Lumileds Powerleds in 2700K, 3000K and 4000K
- Illuxtron patented optical lens system that makes pin-hole light possible
- Anti glare cap that ensures no stray light. The total light opening is only 8mm!

COLOURS

Available colours:



Matt white RAL 9016 (XX=MW)
Matt black RAL 9005 (XX=BL)



Pointer Spot Track 48V LV

Adjustable

SPECIFICATIONS

Beam angle (FWHM)	35° (45° FWTM) / 60° (80° FWTM)
Fixture material	Die cast aluminium
Environment	Indoor
IK rate	IK10
Operating temperature (Ta)	-20°C / +45°C ¹
Safety marks	EN60598 / EN62031 / EN62471
EMC compliance	EN55015
Colour consistency (SDCM)	MacAdam step 3
Warranty	7 years * (within the European Union and the countries of the Free Trade Association for products delivered after 1 May 2015)
Energy class	This product contains a light source of energy efficiency class F (2700K/3000K) and class E (4000K)

This luminaire contains built-in LED lamps. There are no exchangeable parts inside the luminaire. EU 874/2012

¹ In applications with a flat roof (fi. car showrooms) the temperatures may exceed 45°C. Please ask our sales office for a special driver.



IP20

POINTER SPOT TRACK 48V LV (dimnable - incl. individual power supply)

48V

ITEM SPECIFICATIONS (PART A)

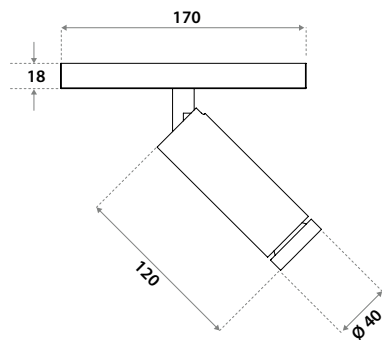
Description	Item code	Input	W	Lm	Lm/W	CRI (typ.)	UGR	Pf	Ripple	Inrush current	B-16A Fuse
Pointer Spot Track 48V LV 35° 500 Lm 2700K No dim	0V2703XXLU02	220-240V	9,2	500	54	85	9,8	x	x	x	x
Pointer Spot Track 48V LV 35° 525 Lm 3000K No dim	0V2703XXLV02	220-240V	9,2	525	57	85	9,9	x	x	x	x
Pointer Spot Track 48V LV 35° 550 Lm 4000K No dim	0V2703XXLW02	220-240V	9,2	550	60	85	10,1	x	x	x	x
Pointer Spot Track 48V LV 60° 550 Lm 2700K No dim	0V2703XXLX02	220-240V	9,2	550	60	85	20	x	x	x	x
Pointer Spot Track 48V LV 60° 600 Lm 3000K No dim	0V2703XXLY02	220-240V	9,2	600	65	85	20,3	x	x	x	x
Pointer Spot Track 48V LV 60° 650 Lm 4000K No dim	0V2703XXLZ02	220-240V	9,2	650	71	85	20,6	x	x	x	x
Pointer Spot Track 48V LV 35° 500 Lm 2700K Dali	0V2703XXLI02	220-240V	9,2	500	54	85	9,8	x	x	x	x
Pointer Spot Track 48V LV 35° 525 Lm 3000K Dali	0V2703XXLI02	220-240V	9,2	525	57	85	9,9	x	x	x	x
Pointer Spot Track 48V LV 35° 550 Lm 4000K Dali	0V2703XXL202	220-240V	9,2	550	60	85	10,1	x	x	x	x
Pointer Spot Track 48V LV 60° 550 Lm 2700K Dali	0V2703XXL302	220-240V	9,2	550	60	85	20	x	x	x	x
Pointer Spot Track 48V LV 60° 600 Lm 3000K Dali	0V2703XXL402	220-240V	9,2	600	65	85	20,3	x	x	x	x
Pointer Spot Track 48V LV 60° 650 Lm 4000K Dali	0V2703XXL502	220-240V	9,2	650	71	85	20,6	x	x	x	x

ITEM SPECIFICATIONS (PART B)

Description	Safety class	Energy class	Weight	Dimensions single carton	Quantity per carton	Expected lifespan B10 reported (25°C)		
						L70B10	L80B10	L90B10
Pointer Spot Track 48V LV 2700K	II	F	276 gr	105x105x61 mm	42 pcs	>60.000 hrs	>60.000 hrs	>60.000 hrs
Pointer Spot Track 48V LV 3000K	II	F	276 gr	105x105x61 mm	42 pcs	>60.000 hrs	>60.000 hrs	>60.000 hrs
Pointer Spot Track 48V LV 4000K	II	E	276 gr	105x105x61 mm	42 pcs	>60.000 hrs	>60.000 hrs	>60.000 hrs

All values are measured at 230V (+/- 7%)

DIMENSIONS



TRACKS

On request! Ask our sales department about the possibilities.

