



WEVER & DUCRÉ
LIGHTING

MATCH

trimless 1.0

190851BL5

Project

Type

Notes

Quantity

Date

GENERAL

Ceiling , Semi-Recessed

Tilt max 90°

Rotation 360°

Black Matt + Aluminium

IP20

IC rated

Interior

Output: 555 lm

CIE flux code: 97 100 100 100 100

LED

3000 K

CRI ≥ 90

L80 / 50000h

2 SDCM

OPTICAL

Beam angle 30°

ELECTRICAL

excl. driver

18 V

LED Inset 6.1 W

Class 3

350 mA

PHYSICAL

Diameter 26 mm

Height 117 mm

0.15 kg

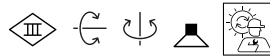
CUTOUT

Diameter 45-47 mm

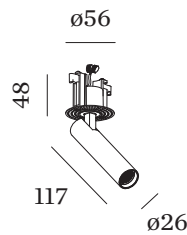
Min. ceiling thickness 4 mm

Max. ceiling thickness 26 mm

Recessed depth 85 mm



Ceiling recessed spotlight made from die-cast aluminium with round base; for trimless installation; surface Black Matt + Aluminium; powder coated; matt texture + wet painted; brushed; suitable for ceiling thickness of 4-26 mm; recessed depth 85 mm; with COB (Chip on Board) technology for maximum efficiency; light colour 3000 K; binning initial MacAdam ≤ 2 SDCM; CRI ≥ 90; beam angle 30°; spotlight head 360° rotatable and 90° tiltable; degree of protection IP20; PC3; IC rated; driver not included; light source replaceable by an authorized professional;





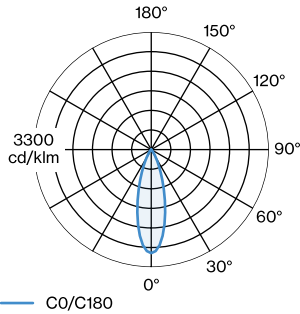
WEVER & DUCRÉ
LIGHTING

MATCH

trimless 1.0

190851BL5

LIGHT DISTRIBUTION



CONE DIAGRAM

350mA 30°

h (m)	E0° (lx)	ø (m)
1	1620	0.54
2	400	1.09
3	180	1.63
4	100	2.18
5	60	2.72

ELECTRICAL

Driver

TYPE	L · W · H (MM)	VOLTAGE	ORDERCODE
6W 350mA	67-39-22	8.6-18V	9 0 2 1 3 3 0 3
10W 350mA 1-10V dim	101.5-51-29.5	14-28V	9 0 2 2 3 4 0 1
10W 350mA phase-cut dim	102-38-21	12-28V	9 0 2 2 3 4 0 2
10W 350mA	115-41-25	13-26V	9 0 2 2 3 4 0 6
14W 350mA	145-33-21	2.5-42V	9 0 2 4 3 5 0 1
17W 350mA 10-49V DALI	108-52-22	10-49V	9 0 2 4 3 6 0 1