



WEVER & DUCRÉ
LIGHTING

MICK 2.0

159254J3

Project
Type
Notes
Quantity
Date

GENERAL

Ceiling
 Surface
 Signal White + Gold
 IP20
 Interior
 460 lm

LED

2700 K
 CRI 90
 L80 / 50000 h
 3-step binning

OPTICAL

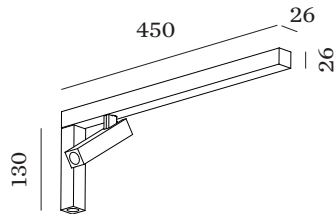
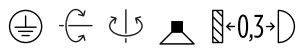
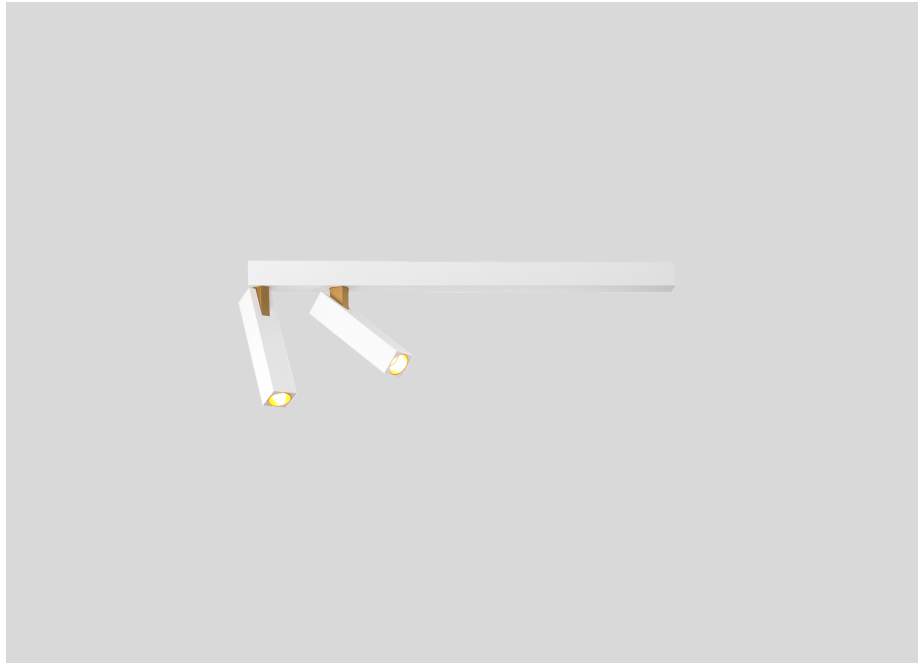
Beam angle 18°

PHYSICAL

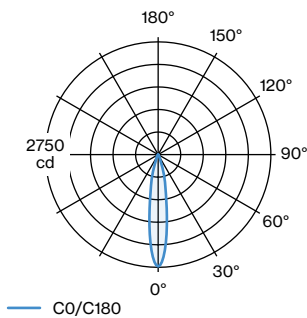
Length 450 mm
 Width 26 mm
 Height 130 mm
 0.62 kg
 Tilt min 90°
 Tilt max 90°
 Rotation 350°

ELECTRICAL

phase-cut dim
 220 - 240 V
 Total connected power 13 W
 LED Inset 11 W
 PC1
 Safety distance 0.3 m



LIGHT DISTRIBUTION



[159254J3] The technical data represent rated values for an ambient temperature of 25°C. The data values for the luminous flux are initially subject to a tolerance of +/- 10%, those for December 15, 2020 the electrical connected load are initially subject to a tolerance of +/- 10%, and those for the colour temperature are initially subject to a tolerance of +/- 150 K. No liability is assumed for typographical or printing errors. The general terms and conditions of Wever & Ducré BVBA apply.
 © Wever & Ducré BVBA · Spinnerijstraat 99/21 · 8500 Kortrijk · Belgium · www.weverducre.com



WEVER & DUCRÉ
LIGHTING

MICK 2.0

159254J3

CONE DIAGRAM

18°

h (m)	E0° (lx)	ø (m)
1	2730	0.31
2	682	0.62
3	303	0.93
4	171	1.25
5	109	1.56