



WEVER & DUCRÉ
LIGHTING

MICK snooze 1.0

159643K3

Project

Type

Notes

Quantity

Date

GENERAL

Wall

Surface

Tilt max 90°

Rotation 350°

Black Matt + Gold

RAL 9005^a

IP20

Interior

185 lm

LED

2700 K

CRI ≥ 90

L80 / 50000 h

3-step binning

OPTICAL

Beam angle 18°

ELECTRICAL

incl. driver

220 - 240 V

Total connected power 7.5 W

LED Inset 5.6 W

Class 1

Safety distance 0.3 m

PHYSICAL

Length 130 mm

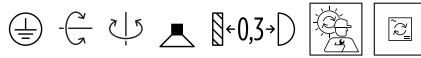
Width 26 mm

Height 375 mm

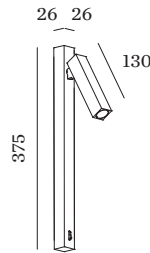
0.4 kg

incl. switch on/off

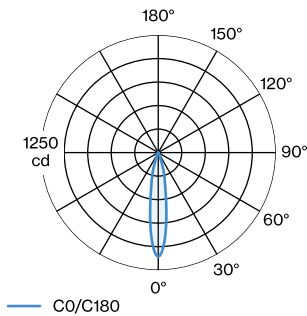
^a Color may deviate slightly due to production conditions.



Bedside luminaire made from die-cast aluminium with rectangular base; inclusive on/off switch in black; surface Black Matt + Gold; powder coated and wet painted; matt texture; RAL 9005; with COB (Chip on Board) technology for maximum efficiency; light colour 2700 K; binning initial MacAdam ≤ 3 SDCM; CRI ≥ 90 ; beam angle 18°; 220 - 240 V; 350° rotatable and 90° tiltable; degree of protection IP20; PC1; driver included; light source replaceable by an authorized professional; control gear replaceable by end-user;



LIGHT DISTRIBUTION





WEVER & DUCRÉ
LIGHTING

MICK

snooze 1.0

159643K3

CONE DIAGRAM

18°

h (m)	E0° (lx)	ø (m)
1	1110	0.31
2	280	0.62
3	120	0.93
4	70	1.25
5	40	1.56

Maintenance Factors

Operating Time [h]	10 000	20 000	30 000	40 000	50 000
LLMF	0.96	0.92	0.88	0.85	0.81
LSF	1	1	1	1	1

MF	LMF × RSMF × LLMF × LSF	RSMF ^a	Room Surface Maintenance Factor
MF	Maintenance Factor	LLMF	Lamp Lumens Maintenance Factor
LMF ^a	Luminaire Maintenance Factor	LSF	Lamp Survival Faktor

^a According to "CIE 97, Maintenance of indoor electric lighting systems", 2005, ISBN 3-900-734-34-8. The values must be determined by the planner.