



WEVER & DUCRÉ
LIGHTING

MICK WALL 1.0

159354K5

| |
|----------|
| Project |
| Type |
| Notes |
| Quantity |
| Date |

GENERAL

Wall
 Surface
 Jet Black + Gold
 IP20
 Interior
 245 lm
 9005^a

LED

3000 K
 CRI 90
 L80 / 50000 h
 3-step binning

OPTICAL

Beam angle 18°

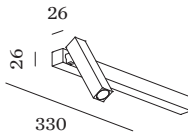
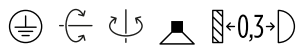
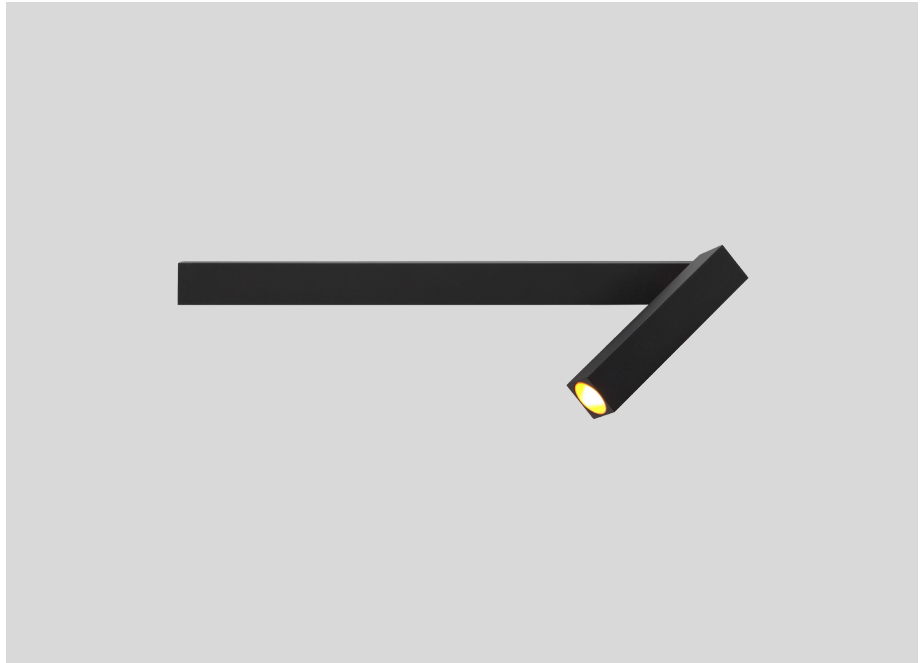
PHYSICAL

Length 330 mm
 Width 26 mm
 Height 130 mm
 0.35 kg
 Tilt min 90°
 Tilt max 90°
 Rotation 350°

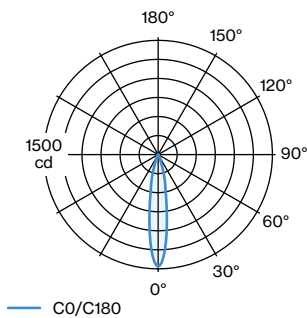
ELECTRICAL

incl. PS | phase-cut dim
 220 - 240 V
 Total connected power 7.3 W
 LED Inset 5.5 W
 PCI
 Safety distance 0.3 m

^a RAL Palette colors may deviate slightly due to production conditions.



LIGHT DISTRIBUTION



[159354K5] The technical data represent rated values for an ambient temperature of 25°C. The data values for the luminous flux are initially subject to a tolerance of +/- 10%, those for the electrical connected load are initially subject to a tolerance of +/- 10%, and those for the colour temperature are initially subject to a tolerance of +/- 150 K. No liability is assumed for typographical or printing errors. The general terms and conditions of Wever & Ducré BVBA apply.
 © Wever & Ducré BVBA · Spinnerijstraat 99/21 · 8500 Kortrijk · Belgium · www.weverducre.com



WEVER & DUCRÉ
LIGHTING

MICK WALL 1.0

159354K5

CONE DIAGRAM

18°

| h (m) | E0° (lx) | ø (m) |
|-------|----------|-------|
| 1 | 1470 | 0.31 |
| 2 | 367 | 0.62 |
| 3 | 163 | 0.93 |
| 4 | 91 | 1.25 |
| 5 | 58 | 1.56 |