



**WEVER & DUCRÉ**  
LIGHTING

# PIRRO

## petit 4.0

129251B3

Project
Type
Notes
Quantity
Date

### GENERAL

Ceiling , Recessed  
 Black Matt  
 RAL 9005<sup>a</sup>  
 IP20  
 IC rated  
 Interior  
 Output: 580 lm  
 CIE flux code: 98 100 100 100 100

### LED

2700 K  
 CRI ≥ 90  
 L80 / 50000h  
 3 SDCM

### OPTICAL

Beam angle 28°

### ELECTRICAL

excl. driver  
 24 V  
 LED Inset 7.6 W  
 Class 3  
 350 mA

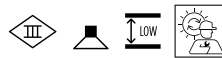
### PHYSICAL

Length 119 mm  
 Width 40 mm  
 Height 40 mm  
 0.1 kg  
 wire springs

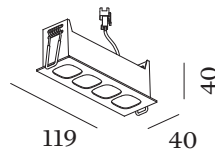
### CUTOUT

Length 116 mm  
 Width 33 mm  
 Min. ceiling thickness 4 mm  
 Max. ceiling thickness 25 mm  
 Recessed depth 60 mm

<sup>a</sup> Color may deviate slightly due to production conditions.



Rectangular ceiling recessed downlight made from die-cast aluminium; surface Black Matt; RAL 9005; installation without tools using wire springs; suitable for ceiling thickness of 4-25 mm; recessed depth 60 mm; with COB (Chip on Board) technology for maximum efficiency; light colour 2700 K; binning initial MacAdam ≤ 3 SDCM; CRI ≥ 90; beam angle 28°; degree of protection IP20; PC3; IC rated; UGR ≤ 13; VDU compatible workplace luminaire according to DIN EN 12464-1; luminance above 65° ≤ 3000 cd/m<sup>2</sup>; driver not included; light source replaceable by an authorized professional;





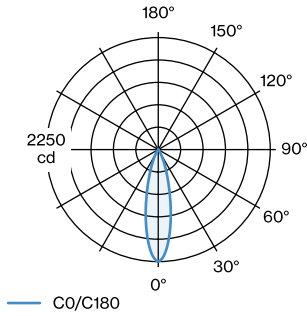
**WEVER & DUCRÉ**  
LIGHTING

# PIRRO

## petit 4.0

129251B3

### LIGHT DISTRIBUTION



### CONE DIAGRAM

25°

h (m)	E0° (lx)	ø (m)
1	2250	0.45
2	560	0.90
3	250	1.35
4	140	1.81
5	90	2.26

### ELECTRICAL

#### Driver

TYPE	L · W · H (MM)	VOLTAGE	ORDERCODE
10W   350mA   phase-cut dim	102·38·21	12-28V	9 0 2 2 3 4 0 2
10W   350mA	115·41·25	13-26V	9 0 2 2 3 4 0 6