



WEVER & DUCRÉ  
LIGHTING

# PLANO

## petit SURFACE 1.0

162564B5

Project	
Type	
Notes	
Quantity	
Date	

### GENERAL

Ceiling , Surface  
 Tilt max 25°  
 Rotation 355°  
 Black Matt  
 RAL 9005<sup>a</sup>  
 IP20  
 Interior  
 Output: 525 lm  
 CIE flux code: 98 100 100 100 100

### LED

3000 K  
 CRI ≥ 90  
 L70 / 55000h  
 2 SDCM

### OPTICAL

Beam angle 31°

### ELECTRICAL

phase-cut dim  
 220 - 240 V  
 Total connected power 8.2 W  
 Class 1

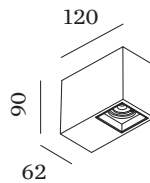
### PHYSICAL

Length 120 mm  
 Width 62 mm  
 Height 90 mm  
 0.48 kg

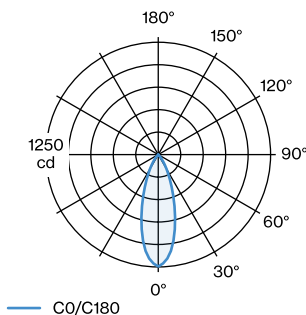
<sup>a</sup> Color may deviate slightly due to production conditions.



Rectangular ceiling surface mounted downlight with 1 spot made from die-cast aluminium; surface Black Matt; powder coated, matt texture; RAL 9005; with COB (Chip on Board) technology for maximum efficiency; phase-cut dim; light colour 3000 K; binning initial MacAdam ≤ 2 SDCM; CRI ≥ 90; beam angle 31°; 355° rotatable and 25° tiltable; degree of protection IP20; PC1; driver included; light source replaceable by an authorized professional; control gear replaceable by end-user;



### LIGHT DISTRIBUTION



[162564B5] The technical data represent rated values for an ambient temperature of 25°C. The data values for the luminous flux are initially subject to a tolerance of +/- 10%, those for the electrical connected load are initially subject to a tolerance of +/- 10%, and those for the colour temperature are initially subject to a tolerance of +/- 150 K. No liability is assumed for typographical or printing errors. The general terms and conditions of Wever & Ducré apply.  
 © Wever & Ducré BV · Spinnerijstraat 99/21 · 8500 Kortrijk · Belgium · www.weverducre.com



WEVER & DUCRÉ  
LIGHTING

# PLANO

## petit SURFACE 1.0

162564B5

### CONE DIAGRAM

34°

h (m)	E0° (lx)	ø (m)
1	1250	0.61
2	310	1.23
3	140	1.84
4	80	2.46
5	50	3.07

### Maintenance Factors

Operating Time [h]	10 000	20 000	30 000	40 000	50 000
LLMF	0.92	0.87	0.83	0.79	0.75
LSF	1	1	1	1	1

MF	LMF × RSMF × LLMF × LSF	RSMF <sup>a</sup>	Room Surface Maintenance Factor
MF	Maintenance Factor	LLMF	Lamp Lumens Maintenance Factor
LMF <sup>a</sup>	Luminaire Maintenance Factor	LSF	Lamp Survival Faktor

<sup>a</sup> According to "CIE 97, Maintenance of indoor electric lighting systems", 2005, ISBN 3-900-734-34-8. The values must be determined by the planner.