



WEVER & DUCRÉ
LIGHTING

ROOMOR CABLE 1.2 E27

2481E0BB2

Project

Type

Notes

Quantity

Date

GENERAL

Ceiling , Suspended

Black Matt

Mounting Black Matt

RAL 9005^a

Shade Black Matt

IP20

Interior

Output: 325 lm

CIE flux code: 43 82 99 100 41

LED

Lamp E27

Socket E27

max. per socket 15.0 W

2700 K

CRI \geq 90

OPTICAL

Shade 2.0

ELECTRICAL

220 - 240 V

LED Inset 9.0 W

Class 1

PHYSICAL

Diameter 250 mm

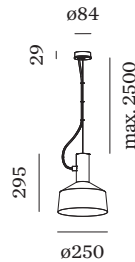
Height 295 mm

1.11 kg

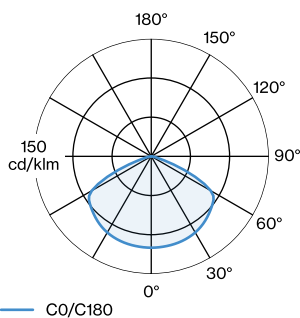
^a Color may deviate slightly due to production conditions.



Suspended luminaire made from aluminium; surface Black Matt wet painted; matt texture; RAL 9005; cable and ceiling base in Black Matt; shade Black Matt; wet painted; matt texture; lamp socket E27; lamp type A60; max. 15W; 220 - 240 V; degree of protection IP20; PC1; lamp not included;



LIGHT DISTRIBUTION



[2481E0BB2] The technical data represent rated values for an ambient temperature of 25°C. The data values for the luminous flux are initially subject to a tolerance of +/- 10%, those for the electrical connected load are initially subject to a tolerance of +/- 10%, and those for the colour temperature are initially subject to a tolerance of +/- 150 K. No liability is assumed for typographical or printing errors. The general terms and conditions of Wever & Ducré apply.
© Wever & Ducré BV · Spinnerijstraat 99/21 · 8500 Kortrijk · Belgium · www.weverducre.com



WEVER & DUCRÉ
LIGHTING

ROOMOR CABLE 1.2 E27

2481E0BB2

LAMPS

A60 LED Lamp

TYPE	Ø · H (MM)	ORDERCODE
2700K E27	ø60 · 110	9 0 0 3 E 1 5 2