



WEVER & DUCRÉ  
LIGHTING

# SARA on base 1.0

157220B0

Project
Type
Notes
Quantity
Date

## GENERAL

Ceiling , Surface  
 Tilt max 90°  
 Black Matt  
 RAL 9005<sup>a</sup>  
 IP20  
 Interior  
 Output: 460<sup>b</sup>, 480<sup>c</sup> lm  
 CIE flux code: 94 98 100 100 100

## LED

Lamp PAR16  
 Socket GU10  
 max. per socket 12.0 W  
 CRI ≥ 90

## ELECTRICAL

100 - 240 V  
 LED Inset 6.5 W  
 Class 1

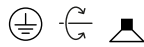
## PHYSICAL

Diameter 55 mm  
 Height 115 mm  
 0.23 kg

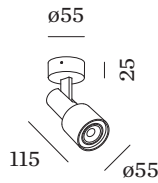
<sup>a</sup> Color may deviate slightly due to production conditions.

<sup>b</sup> PAR16 LAMP 2700K CRI90

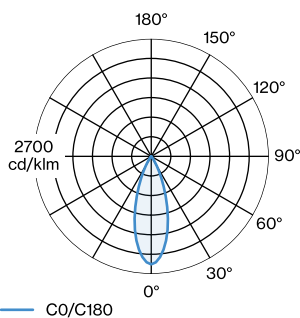
<sup>c</sup> PAR16 LAMP 3000K CRI90



Ceiling surface spotlight made from die-cast aluminium; surface Black Matt; powder coated, matt texture; RAL 9005; lamp socket GU10; lamp type PAR16; max. 12W; 100 - 240 V; +/- 90° tiltable; degree of protection IP20; PC1; lamp not included;



## LIGHT DISTRIBUTION



[157220B0] The technical data represent rated values for an ambient temperature of 25°C. The data values for the luminous flux are initially subject to a tolerance of +/- 10%, those for the electrical connected load are initially subject to a tolerance of +/- 10%, and those for the colour temperature are initially subject to a tolerance of +/- 150 K. No liability is assumed for typographical or printing errors. The general terms and conditions of Wever & Ducré apply.  
© Wever & Ducré BV · Spinnerijstraat 99/21 · 8500 Kortrijk · Belgium · www.weverducre.com



WEVER & DUCRÉ  
LIGHTING

# SARA

## on base 1.0

157220B0

### LAMPS

#### PAR16 LED Lamp

TYPE	COLOUR	Ø · H (MM)	ORDERCODE
2700K   >90 CRI   GU10	Black	∅50 · 60	9 0 1 2 2 8 B 3
3000K   >90 CRI   GU10	Black	∅50 · 60	9 0 1 2 2 8 B 5
2700K   >90 CRI   GU10	White	∅50 · 60	9 0 1 2 2 8 W 3
3000K   >90 CRI   GU10	White	∅50 · 60	9 0 1 2 2 8 W 5
2700K   >80 CRI   GU10	Silver	∅50 · 60	9 0 5 2 2 7 S 2
3000K   >80 CRI   GU10	Silver	∅50 · 60	9 0 5 2 2 7 S 4