



WEVER & DUCRÉ
LIGHTING

SARA on base 1.1

157420B0

Project

Type

Notes

Quantity

Date

GENERAL

Ceiling , Surface

Tilt max 90°

Rotation 330°

Black Matt

RAL 9005^a

IP20

Interior

Output: 460^b, 480° lm

CIE flux code: 94 98 100 100 100

LED

Lamp PAR16

Socket GU10

max. per socket 12.0 W

CRI ≥ 90

ELECTRICAL

100 - 240 V

LED Inset 6.5 W

Class 1

PHYSICAL

Diameter 55 mm

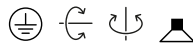
Height 115 mm

0.32 kg

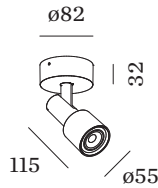
^a Color may deviate slightly due to production conditions.

^b PAR16 LAMP 2700K CRI90

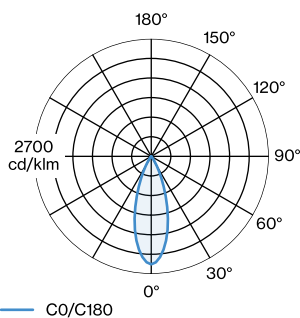
^c PAR16 LAMP 3000K CRI90



Ceiling surface spotlight made from die-cast aluminium; surface Black Matt; powder coated, matt texture; RAL 9005; lamp socket GU10; lamp type PAR16; max. 12W; 100 - 240 V; 330° rotatable and 90° tiltable; degree of protection IP20; PCI; lamp not included;



LIGHT DISTRIBUTION





WEVER & DUCRÉ
LIGHTING

SARA

on base 1.1

157420B0

LAMPS

PAR16 LED Lamp

TYPE	COLOUR	Ø · H (MM)	ORDERCODE
2700K >90 CRI GU10	Black	ø50-60	9 0 1 2 2 8 B 3
3000K >90 CRI GU10	Black	ø50-60	9 0 1 2 2 8 B 5
2700K >90 CRI GU10	White	ø50-60	9 0 1 2 2 8 W 3
3000K >90 CRI GU10	White	ø50-60	9 0 1 2 2 8 W 5
2700K >80 CRI GU10	Silver	ø50-60	9 0 5 2 2 7 S 2
3000K >80 CRI GU10	Silver	ø50-60	9 0 5 2 2 7 S 4