



WEVER & DUCRÉ
LIGHTING

SQUBE on base 2.0 PAR16

144520W0

Project

Type

Notes

Quantity

Date

GENERAL

Ceiling, Surface

Tilt max 90°

Rotation 355°

White Matt

RAL 9010^a

IP20

Interior

Output: 1010^b, 1100° lm

CIE flux code: 94 98 100 100 100

LED

Lamp 2 x PAR16

Socket GU10

max. per socket 12.0 W

CRI ≥ 90

ELECTRICAL

100 - 240 V

LED Inset 6.5 W

Total insets 13.0 W

Class 1

PHYSICAL

Length 205 mm

Width 55 mm

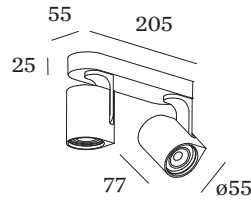
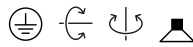
Height 77 mm

0.58 kg

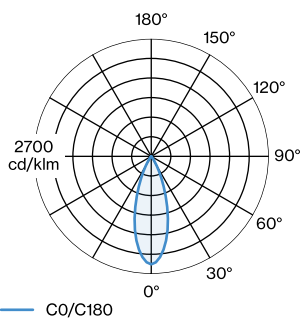
^a Color may deviate slightly due to production conditions.

^b PAR16 LAMP 2700K CRI90

^c PAR16 LAMP 3000K CRI90



LIGHT DISTRIBUTION





WEVER & DUCRÉ
LIGHTING

SQUBE

on base 2.0 PAR16

144520W0

LAMPS

PAR16 LED Lamp

| TYPE | COLOUR | Ø · H (MM) | ORDERCODE |
|------------------------|--------|------------|-----------------|
| 2700K >90 CRI GU10 | Black | ∅50 · 60 | 9 0 1 2 2 8 B 3 |
| 3000K >90 CRI GU10 | Black | ∅50 · 60 | 9 0 1 2 2 8 B 5 |
| 2700K >90 CRI GU10 | White | ∅50 · 60 | 9 0 1 2 2 8 W 3 |
| 3000K >90 CRI GU10 | White | ∅50 · 60 | 9 0 1 2 2 8 W 5 |
| 2700K >80 CRI GU10 | Silver | ∅50 · 60 | 9 0 5 2 2 7 S 2 |
| 3000K >80 CRI GU10 | Silver | ∅50 · 60 | 9 0 5 2 2 7 S 4 |