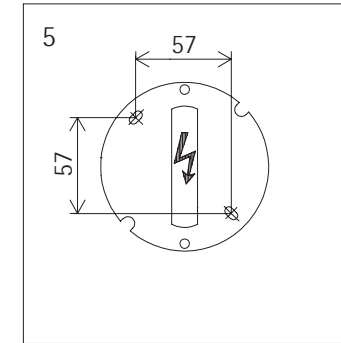
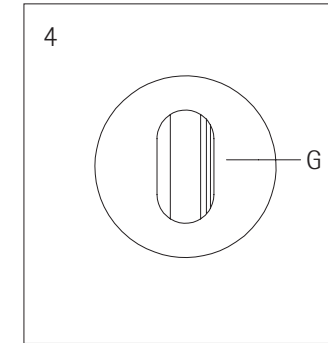
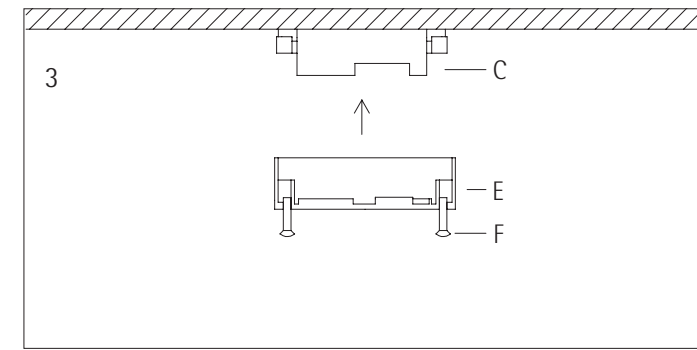
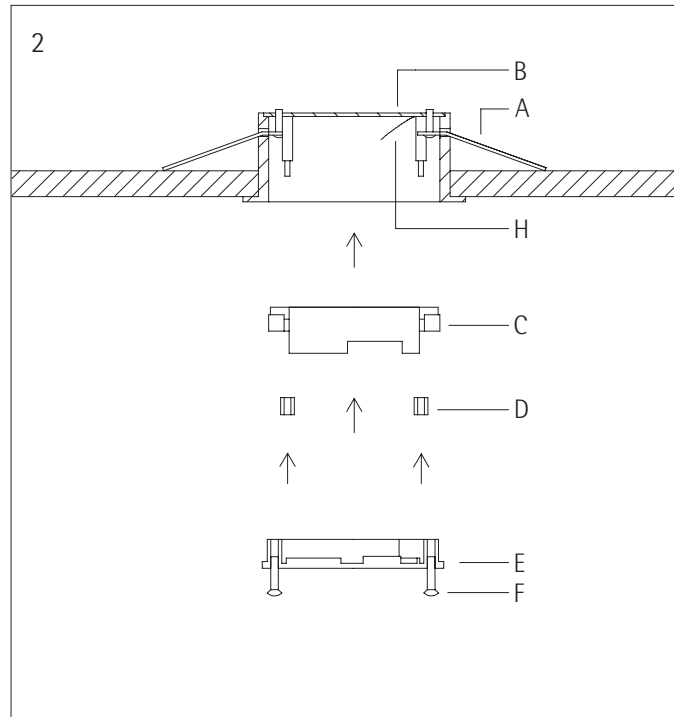
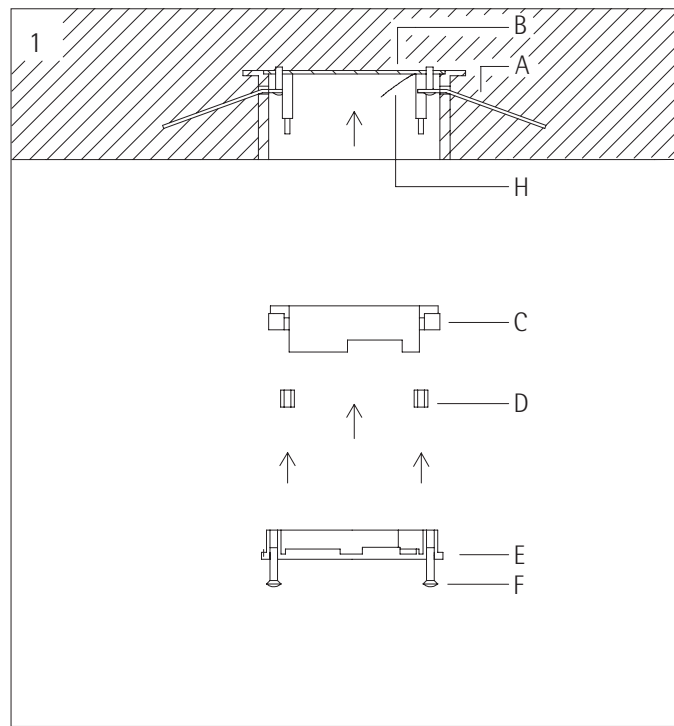


Singlet

Installation Instructions



English

Use only with adapters and accessories that have been tested with and approved for the ERCO track system. Singlets can be installed on ceilings or walls.

When installing, always observe the national installation and accident prevention regulations.

Installation

Release the screws "F" and remove the cover "E".

For recessed mounting: Remove threaded bushes "D" and installation plate "C" as well.

Installation in concrete ceilings (Fig. 1)

1. Remove base plate "B" and screw to the opposite side of the recessed housing.
2. Press out cable entry and insert connection cable.
3. Insert fixing brackets "A" provided from inside through the recessed housing and tighten the screws. The fixing brackets can be used as securing straps.
4. Plaster ceiling to be flush with recessed housing.
5. Continue with installation of singlet.

Recessed Mounting (Fig. 2)

1. Mark ceiling aperture $\varnothing 112\text{mm}$ with the enclosed stencil. Cut out ceiling aperture to a tolerance of $+2\text{mm}/-0\text{mm}$

2. Press out cable entry and insert connection cable.

3. Install recessed housing in the ceiling aperture. Insert fixing brackets "A" provided from inside through the recessed housing and tighten the screws.

4. Continue with installation of singlet.

Installation of Singlet

1. Insert installation plate "C" and fix with threaded bushes "D".

2. Make electrical connection and connect the earthing conductor "H".

- With DALI singlet: Connect the DALI control lines to the two DA screw terminals.
3. Position cover "E" and fix with screws "F".

Surface Mounting (Fig. 3)

1. Drill mounting holes (Fig. 5).
2. Insert connection cable and mount installation plate "C".

3. Make the electrical connection. With DALI singlet: Connect the DALI control lines to the two DA screw terminals.

4. Position cover "E" and fix with screws "F".

Maximum mechanical load

The weight of the spotlights used may not exceed the maximum specified values.

Ceiling mounting: 8.00kg
 Wall mounting: 3.50kg

Note:

Please refer to the respective Installation Instructions, the label or imprint on the luminaire for details concerning the restricted use of luminaires, type of installation etc.

When mounting to walls (Fig. 4) the singlet should only be installed such that the opening for the adapter is arranged vertically. The guide groove "G" should be on the right hand side.

Note: To align correctly mount the installation plate "C" such that the earth conductor connection is on the right hand side.

Notes

1. For general information on DALI, please go to: www.dali-ag.org.
2. Our continually updated product documentation can be accessed at www.erco.com/download.