



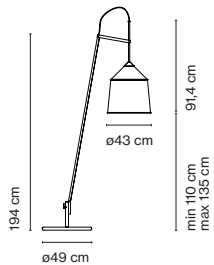
# Jaima

## Joan Gaspar

**marset**



**Jaima P207 + Shade 43**



**Jaima P207 + Shade 43**

☉ E27 LED Globe (ø120) 22W

Shade made of textielene with the inner part always in white. Stainless steel structure in lacquered grey.

**Jaima P307 + Shade 54**

☉ E27 LED Globe (ø120) 22W

- Blue
- Beige

**Jaima P307 + Shade 71**

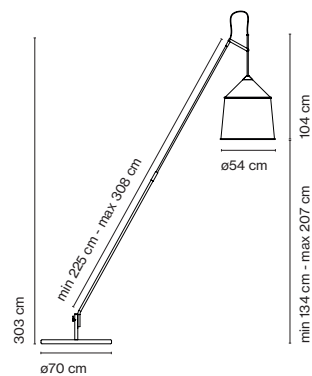
☉ E27 LED Globe (ø120) 22W

- Grey
- Green

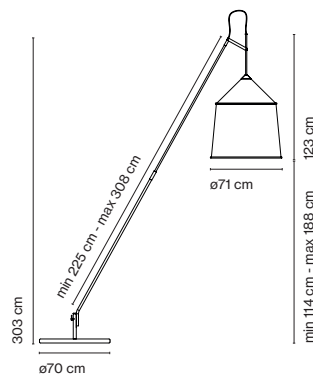
Black electrical cord



**Jaima P307 + Shade 54**



**Jaima P307 + Shade 71**

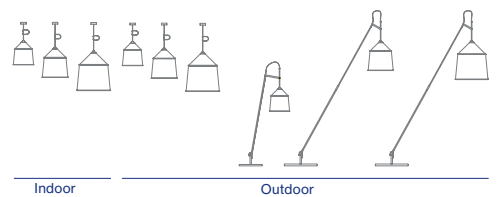


**Watch the video**

info@marset.com

- [Download](#) Assembly instructions
- [Download](#) 2D
- [Download](#) 3D
- [Download](#) Energy label

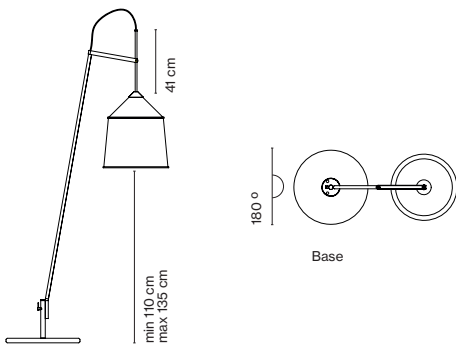
**Collection**



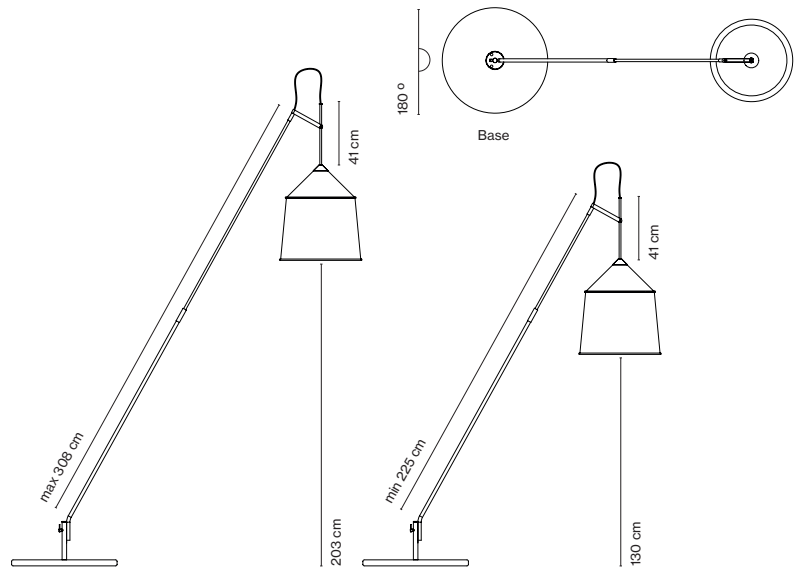
Through the language of textiles, Joan Gaspar has designed a light of flexible, ductile materials that sifts the light as readily as it moves with the wind. In the Jaima collection, the light is the shade and weaver of emotions.

# Range of positions

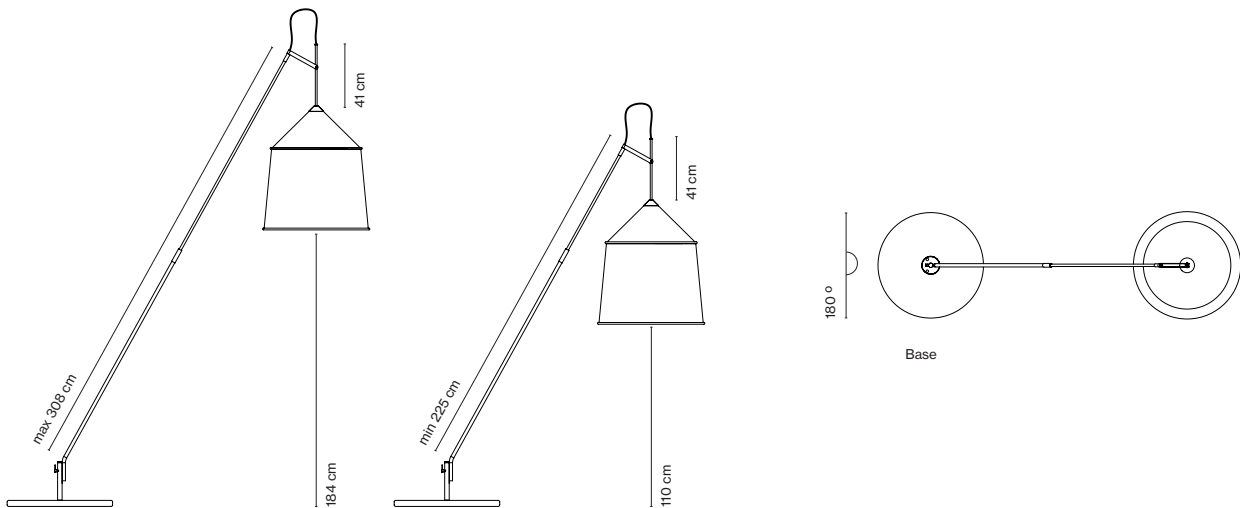
Jaima P207 with shade 43



Jaima P307 extensible with shade 54



Jaima P307 extensible with shade 71



Base



Floor support



Wall bracket



Shade finishes