

BOX

08-Jan.-2019

1.0 LED INTERIOR

LED 6W | 220-240VAC | 50-60Hz | PCB 3-step | incl. PS | phase-cut dim

CE IP20

aluminium

	white texture	331168W_
	aluminium brushed	331168L_
	gold	331168G_
	bronze	331168Q_
	copper	331168P_
	black texture	331168B_

wood

	walnut wood	331168WN_
--	-------------	-----------

LIGHT COLOUR

2700K >80CRI 400lm	2
3000K >80CRI 440lm	4
1800-2850K >80CRI 400lm	9

1.0 QT14

QT14 max. 75W | G9 | 220-240VAC | 50-60Hz

CE IP20

aluminium

	white texture	3211G0W0
	aluminium brushed	3211G0L0
	gold	3211G0G0
	bronze	3211G0Q0
	copper	3211G0P0
	black texture	3211G0B0

wood

	walnut wood	3211G0WN0
--	-------------	-----------

OPTIONAL

for QT14 lamps see our catalogue	
flaps for adjustable beam angle	900401W0

1.0 LED EXTERIOR

LED 6W | 220-240VAC | 50-60Hz | PCB 3-step | incl. PS | phase-cut dim

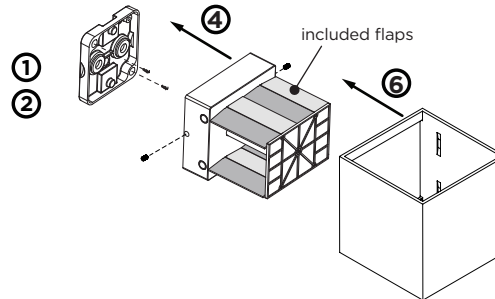
CE IP65

	white texture	740168W_
	dark grey texture	740168D_
	black texture	740168B_
	bronze	740168Q_

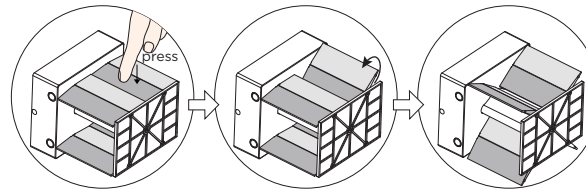
LIGHT COLOUR

2700K >80CRI 400lm	2
3000K >80CRI 440lm	4

1.0 LED INTERIOR EXTERIOR



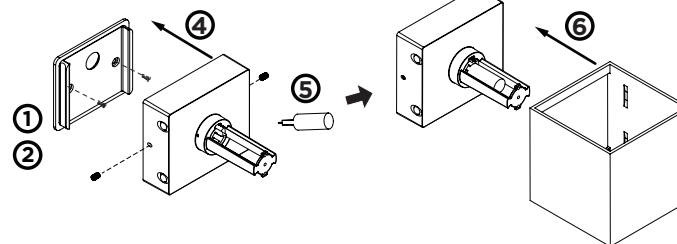
with flaps, the beam angle is adjustable:



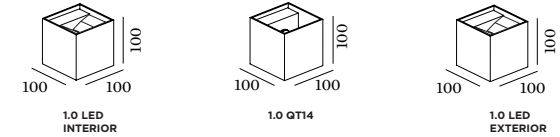
The light source of the integrated LED is not replaceable; When the light source reaches its end of life the whole luminaire should be replaced.

Caution, risk of electric shock

1.0 QT14 INTERIOR



DIMENSIONS

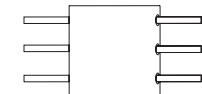


MOUNTING INSTRUCTION

- Remove the lamp base
- Fixate the back plate to the wall with screws
- POWER CONNECTION**

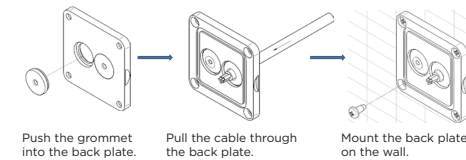
Connect the power supply.

Interior: STANDARD version



Exterior: WATERPROOF Connection

IP-rated connections for wall fixtures: cable isolation for round cables \varnothing 4.5-7.5 mm, should be in the grommet. For cable use \varnothing 7.0-9.5 mm: replace the grommet with the other grommet in the bag.



- Fixate the lamp base to the back plate.
- For QT14:** insert the lamp
- Fixate the lamp cover to the back base.



WEVER & DUCRÉ
LIGHTING

www.weverducre.com

Wever & Ducré bvba Spinnerijstraat 99/21 8500 Kortrijk

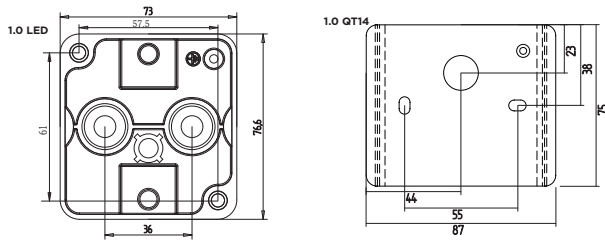
INSTALLATION
INSTRUCTIONS

PAGE 1/2

BOX

08-Jan.-2019

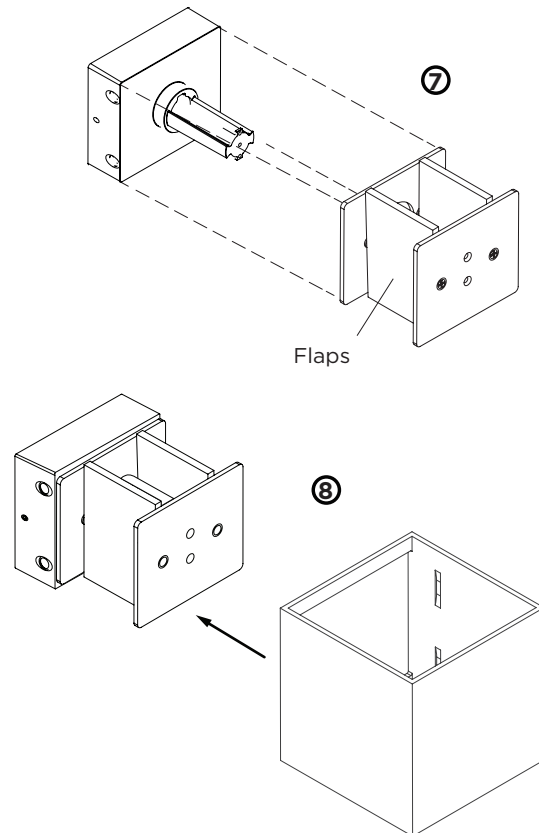
base plate dimensions



use appropriate tool			
CABLE			
TYPE	ROUND H05RN-F H07RN8-F H07RN-F	ROUND H05RN-F	ROUND
OUTSIDE Ø	min 6.8mm max 8.9mm	min 5mm max 6.8mm	min 1.5mm max 2.6mm
CONDUCTION SECTION	2or3x 0.75mm ² 2or3x 1.0mm ² 2or3x 1.5mm ²	2or3x 0.75mm ² 2x 1.0mm ²	0.75mm ² 1.5mm ²

OPTIONAL (for QT14):

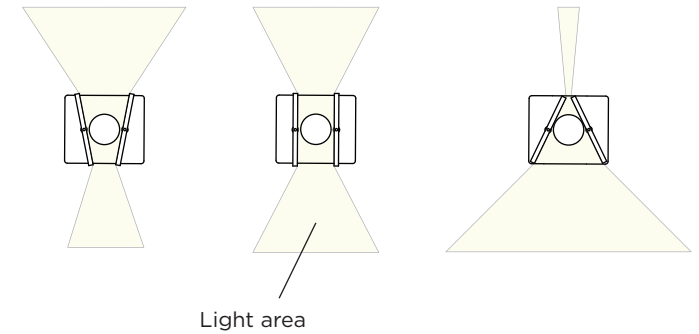
BOX flaps for adjustable beam angle
900401W0



- ⑦ Before fixate the light cover to the back base, mount the BOX flap over the fixture base and fixate it with screws.
- ⑧ Fixate the lamp cover to the back base.

EXPLANATION BOX FLAPS:

By rotating the arms of the BOX flaps separately, you can adjust the light beam angle. Below you can see some examples:



WEVER & DUCRÉ
LIGHTING

www.weverducre.com

Wever & Ducre bvba Spinnerijstraat 99/21 8500 Kortrijk

INSTALLATION
INSTRUCTIONS

PAGE 2/2