

DEEP 2.0

05-Jun-2019

2.0 LED

LED 2xLED 7/10W | 350/500mA | 18Vf | COB 3-step | excl. power supply

CE IP20 0.3m 36° 35°/35° 355°

white texture	112761W_
black texture	112761B_

LIGHT COLOUR

2700K >90CRI 2x520/710lm	3
3000K >90CRI 2x540/740lm	5
1800-2850K >95CRI 2x330/450lm 16Vf	9

ALWAYS USE

for power supplies see our catalogue

2.0 PAR16

2xMax. 12W | GU10 | 100-240VAC | 50-60Hz

CE IP20 0.9m 35°/35° 355°

white texture	112720W0
black texture	112720B0

OPTIONAL

for PAR16 lamps see our catalogue

DEEP DOUBLE ADJ LED

①



③



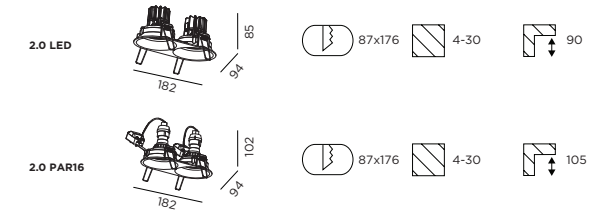
④



DEEP DOUBLE ADJ PAR16



DIMENSIONS



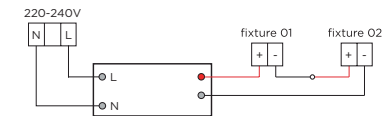
MOUNTING INSTRUCTION

- ① Make a hole in the ceiling according to the prescribed dimensions.

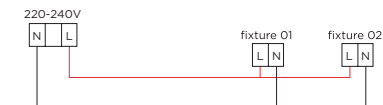
POWER CONNECTION

- ② SERIAL CONNECTION - for LED

Always use POWER SUPPLY according to the specifications of the LED-module

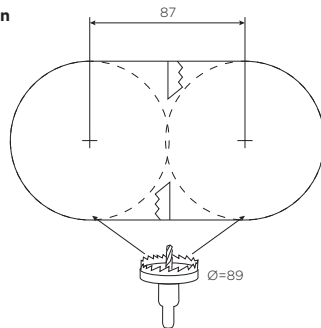


PARALLEL CONNECTION - for PAR16



- ③ Insert the lamp or LED module into the inner part of the DEEP Double ADJ
- ④ Click the inner part of the DEEP Double ADJ into the outer part

Hole dimension



FOR HALOGEN LAMPS:

1. The mounting height for the luminaire should be more than 2.5m.

2. Luminaires not suitable for covering with thermally insulating material.

3. Luminaires not suitable for direct mounting on normally flammable surfaces (suitable only for mounting on noncombustiblesurfaces)



WEVER & DUCRÉ
LIGHTING

www.weverducre.com

Wever & Ducré bvba Spinnerijstraat 99/21 8500 Kortrijk

INSTALLATION
INSTRUCTIONS