

# DOCUS SUSPENDED

13-Sep.-2018

## 2.0 | 3.0 LED

LED 8W | 220-240VAC | 50-60Hz | COB 3-step | incl. PS | phase-cut dim

CE IP20 0.3m 36°

### 2.0

200mm

white texture  
aluminium brushed  
gold  
copper  
black texture

207564W-  
207564L-  
207564G-  
207564P-  
207564B-

### 3.0

300mm

white texture  
aluminium brushed  
gold  
copper  
black texture

207664W-  
207664L-  
207664G-  
207664P-  
207664B-

### LIGHT COLOUR

2700K | >90CRI | 420lm

3

3000K | >90CRI | 440lm

5

1800-2850K | >95CRI | 360lm

9

## 2.0 | 3.0 PAR16

max. 35W | GU10 | 100-240VAC | 50-60Hz

CE IP20 0.9m

### 2.0

200mm

white texture  
aluminium brushed  
gold  
copper  
black texture

207520W0  
207520L0  
207520G0  
207520P0  
207520B0

### 3.0

300mm

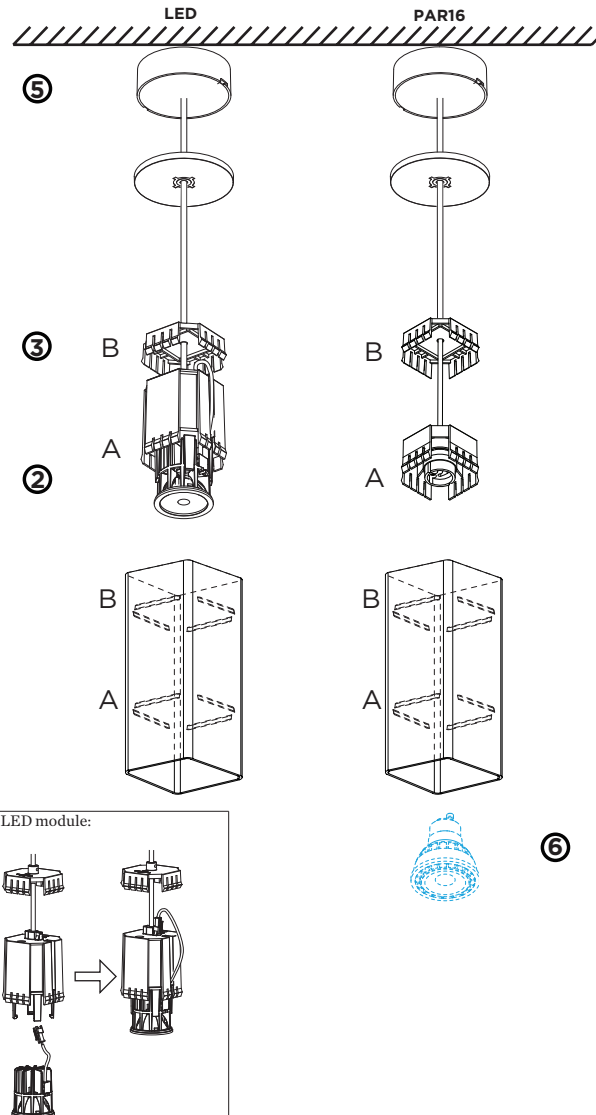
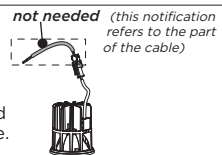
white texture  
aluminium brushed  
gold  
copper  
black texture

207620W0  
207620L0  
207620G0  
207620P0  
207620B0

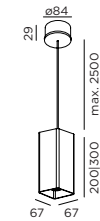
### OPTIONAL

for PAR16 lamps see our catalogue

\* For this product, the cable with a plug that comes with the LED module is not needed. Please remove it first and then use the LED module.



## DIMENSIONS

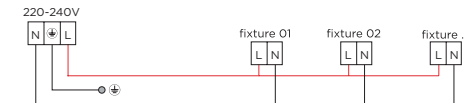


## MOUNTING INSTRUCTION

- 1 ONLY FOR LED: mount the LED module into the suspension set.
- 2 Insert part A until it clicks in the lower part of the cover
- 3 Insert part B until it clicks in the higher part of the cover
- 4 POWER CONNECTION

Connect wiring to the power supply (for LED) or to terminal block (for PAR16)

### PARALLEL CONNECTION



- 5 Mount the ceiling base on the ceiling  
**(You have to turn the cover counterclockwise a quarter in order to loosen it from the ceiling base and mounting back on is by turning clockwise.)**
- 6 ONLY FOR PAR16  
Insert the lamp

PB19-010-452-00



WEVER & DUCRÉ  
LIGHTING

www.weverducre.com

Wever & Ducre bvba Spinnerijstraat 99/21 8500 Kortrijk

INSTALLATION  
INSTRUCTIONS