

LUNA SQUARE

24-Jan.-2018

1.0 LED

LED 7/10W | 350-500mA | 18Vf | COB 3-step | excl. power supply

CE IP44 0,3m

white texture	114481W
matte chrome	114481M
black texture	114481B

LIGHT COLOUR

2700K >90CRI 360-510lm	3
3000K >90CRI 400-540lm	5
1800K-2850K >95CRI 270-370lm	9

ALWAYS USE

for power supplies see our catalogue

1.0 LED HV

LED 7W | 220-240VAC | PCB 3-step | incl. PS | phase-cut dim

CE IP44 0,3m

3000K >90CRI 350lm	
white texture	114488W5
matte chrome	114488M5
black texture	114488B5

OPTIONAL

for optional dimmers see our catalogue

1.0 PAR16

PAR16 max. 10W | GU10 | 100-240VAC | 50-60Hz

CE IP44 0,9m

white texture	114220W0
matte chrome	114220M0
black texture	114220B0

OPTIONAL

for optional lamps see our catalogue

1.0 MR16

QR-CBC51 max. 10W | GU5.3 | 12V | excl. PS

CE IP44 0,9m

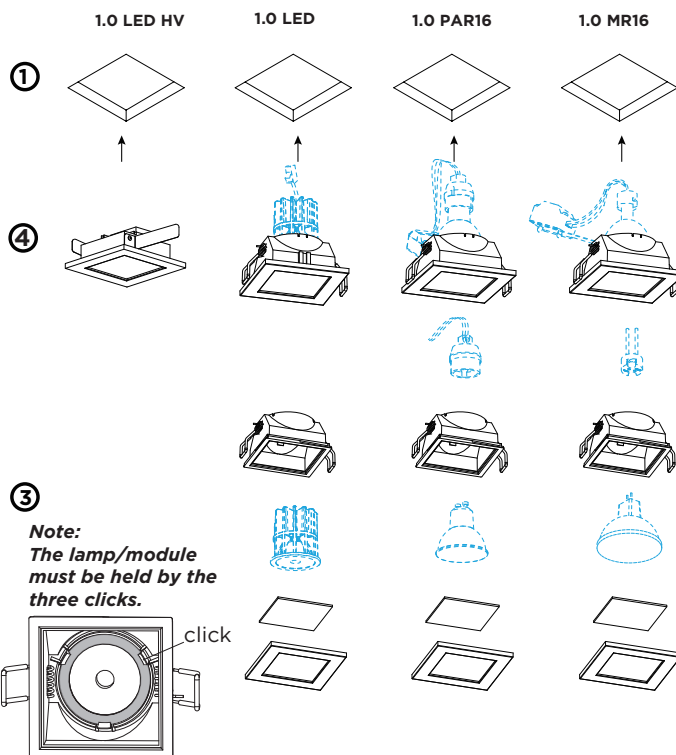
white texture	114210W0
matte chrome	114210M0
black texture	114210B0

ALWAYS USE

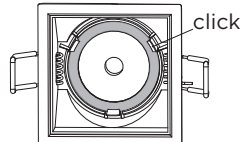
for power supplies see our catalogue

OPTIONAL

plaster kit	90017102
recessed housing	90012026



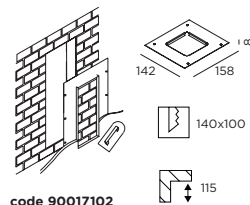
Note:
The lamp/module
must be held by the
three clicks.



General mounting notice for ceiling / wall with optional plaster kit or recessed

PLASTER KIT

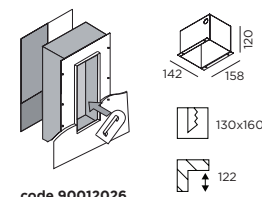
Use into brick walls or plastered stalon



code 90017102

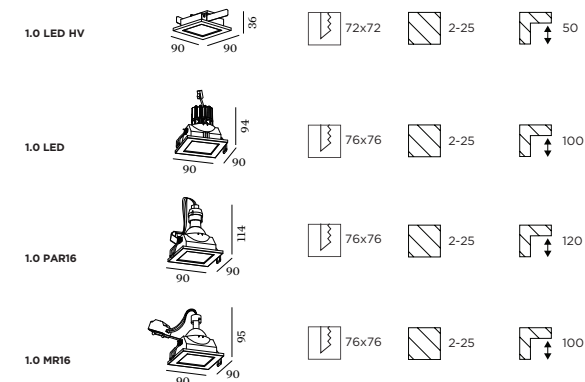
RECESSED HOUSING

Always use in combination with plaster kit
Use in concrete structures



code 90012026

DIMENSIONS



MOUNTING INSTRUCTION

① Make a hole in the ceiling according to the prescribed dimensions.

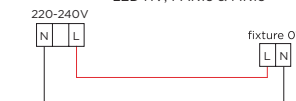
② POWER CONNECTION

SERIAL CONNECTION - for LED

Always use POWER SUPPLY according to the specifications of the LED-module



PARALLEL CONNECTION - for LED HV, PAR16 & MR16



③ Put the illuminant in the assembled cover.

Note: The lamp/module must be clicked into place.

④ Insert the fixture in the hole

OPTIONAL:

insert with Plaster Kit

or

insert with Plaster Kit and Recessed Housing

Caution, risk of electric shock The light source of the integrated LED is not replaceable; When the light source reaches its end of life the whole luminaire shall be replaced.