

PLANO 2.0

26-Apr.-2019

2.0 LED

LED 2x7/10W | 350-500mA | 18Vf | COB 3-step | excl. power supply

CE IP20 960°C 0,3m TE 35°/35° 355°

white texture	118261W_
silver / grey	118261S_
bronze	118261Q_
black	118261B_

LIGHT COLOUR

2700K >90CRI 2x520-710lm	3
3000K >90CRI 2x540-740lm	5
1800-2850K >95CRI 2x330-450lm 16Vf	9

ALWAYS USE

for power supplies see our catalogue

OPTIONAL

plaster kit 90017105

2.0 PAR16

2xPAR16 max. 12W | GU10 | 100-240VAC | 50-60Hz

CE IP20 960°C 0,3m TE 35°/35° 355°

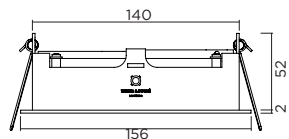
white texture	118220W0
silver / grey	118220S0
bronze	118220Q0
black	118220B0

OPTIONAL

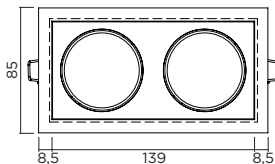
for PAR16 lamps see our catalogue
plaster kit

90017105

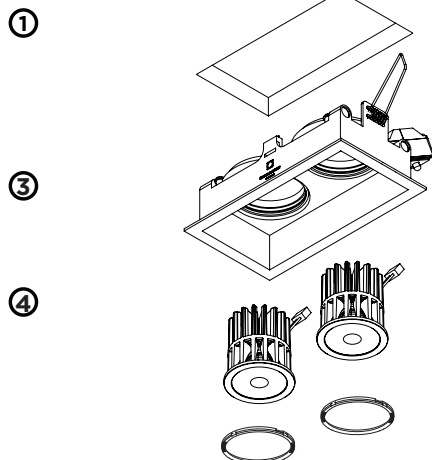
side view



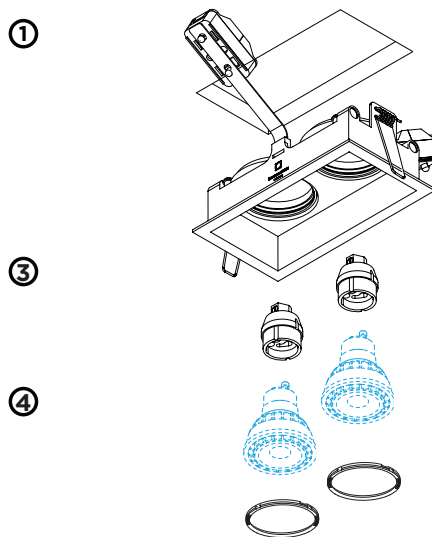
bottom view



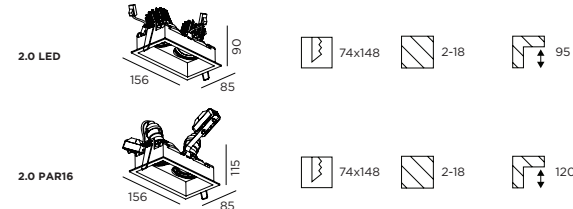
PLANO 2.0 LED



PLANO 2.0 PAR16



DIMENSIONS



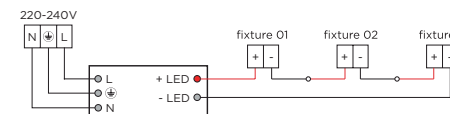
MOUNTING INSTRUCTION

- 1 Make a hole in the ceiling according to the prescribed dimensions.

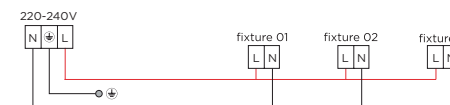
POWER CONNECTION

- 2 SERIAL CONNECTION - for LED

Always use **POWER SUPPLY** according to the specifications of the LED-module



PARALLEL CONNECTION - for PAR16



- 3 Insert the fixture in the hole
- 4 Place the LED engines or PAR16 lamps and fix with spring



WEVER & DUCRÉ
LIGHTING

www.weverducre.com

Wever & Ducre bvba Spinnerijstraat 99/21 8500 Kortrijk

INSTALLATION
INSTRUCTIONS