

ROCK LIGHT COLLECTION

CEILING SUSPENDED 3.0 | 4.0

24-May-2017

3.0 CEILING SUSPENDED

E26-E27 | max. 100W | 110-220VAC | 50-60Hz | stone veneer | MDF lacquered

CE IP20 960°C 0.9m 3 - 5kg

370 mm

	Autumn white	2201ESW0
	Silver shine	2201ESS0
	Multicolour	2201ESD0

560 mm

	Autumn white	2203ESW0
	Silver shine	2203ESS0
	Multicolour	2203ESD0

740 mm

	Autumn white	2205ESW0
	Silver shine	2205ESS0
	Multicolour	2205ESD0

4.0 CEILING SUSPENDED

E26-E27 | max. 100W | 110-220VAC | 50-60Hz | stone veneer | MDF lacquered

CE IP20 960°C 0.9m 3.5 - 5.5kg

370 mm

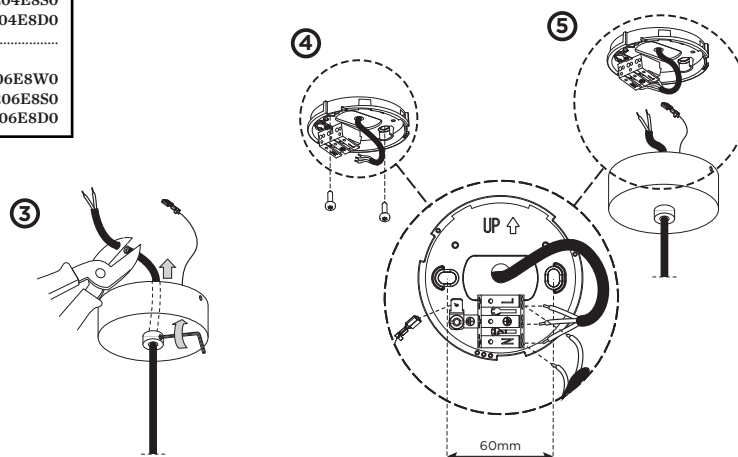
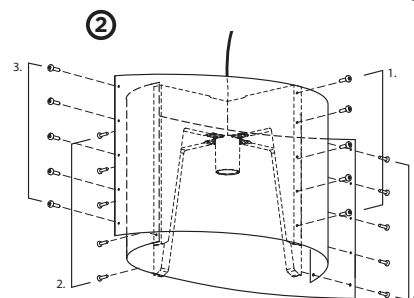
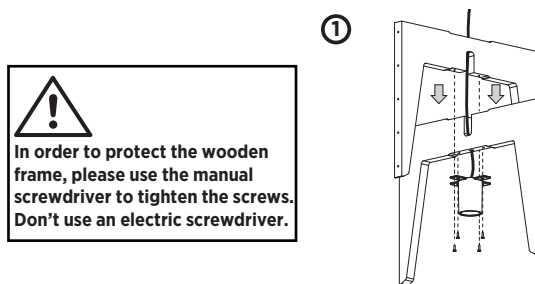
	Autumn white	2202ESW0
	Silver shine	2202ESS0
	Multicolour	2202ESD0

560 mm

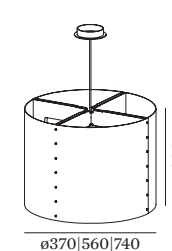
	Autumn white	2204ESW0
	Silver shine	2204ESS0
	Multicolour	2204ESD0

740 mm

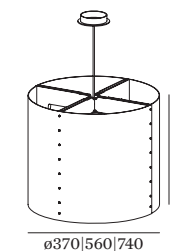
	Autumn white	2206ESW0
	Silver shine	2206ESS0
	Multicolour	2206ESD0



DIMENSIONS

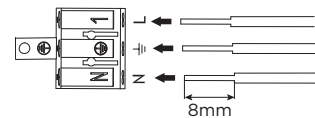


CEILING SUSPENDED 3.0



CEILING SUSPENDED 4.0

MOUNTING SITUATION

- ① Reunite the wooden parts and screw down the lamp socket
 - ② Screw down the stone veneers in the right order
 - ③ If necessary pull the cable of the luminaire to the desired length and remove any excess cable. Fix the remaining cable with the threaded pin to the baldachin housing
 - ④ Mount the base plate to the ceiling using suitable dowels and connect it to the power supply
- 
- ⑤ Connect the grounding cable and the electric terminal



WEVER & DUCRÉ
LIGHTING

www.weverducre.com

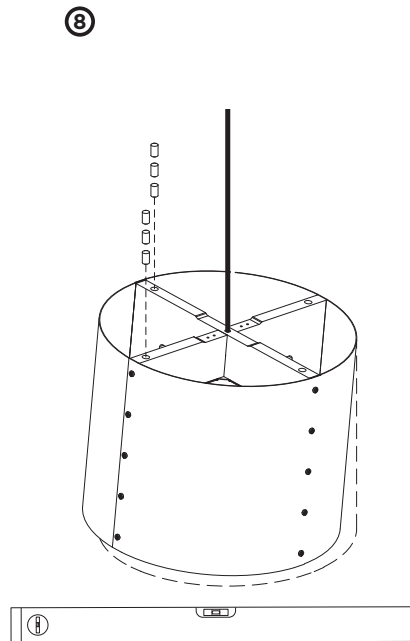
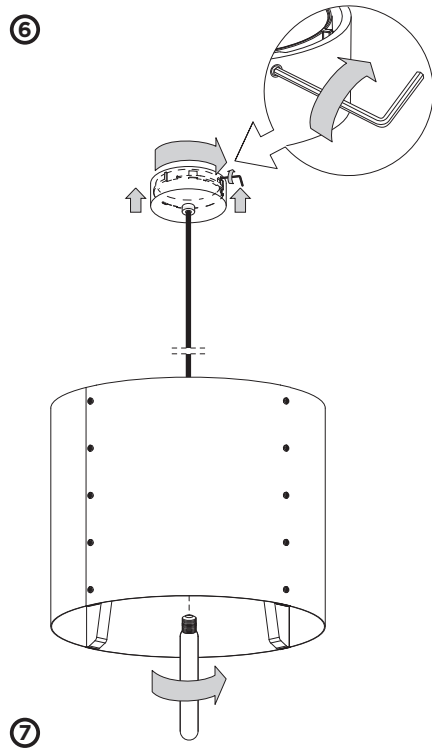
INSTALLATION
INSTRUCTIONS

PAGE 1/2

ROCK LIGHT COLLECTION

CEILING SUSPENDED 3.0 | 4.0

24-May-2017



- ⑥ Mount the baldachin to the baseplate with the bajonet catch. Fix the baldachin with the threaded pin
- ⑦ Put the light bulb into the lamp socket
- ⑧ To balance the luminaire horizontally use the supplied balancing weights as needed

