

SHIEK 4.0/5.0

11-Dec.- 2017

4.0 LED

LED 8W | 220-240VAC | PCB 3-step | ambient white dim | phase-cut dim | incl. PS

CE IP20 0.3m

1800-2850K | >80CRI | 400lm

white texture + gold	234489J9
black texture + gold	234489K9
copper	234489P9
white texture	234489W9
black texture + copper	234489Z9

4.0 E27

E27 | max.40W | QA60 | 100-240VAC

CE IP20 0.9m

white texture + gold	2344E8J0
black texture + gold	2344E8K0
copper	2344E8P0
white texture	2344E8W0
black texture + copper	2344E8Z0

5.0 LED

LED 8W | 220-240VAC | PCB 3-step | ambient white dim | phase-cut dim | incl. PS

CE IP20 0.3m

1800-2850K | >80CRI | 400lm

white texture + gold	234589J9
black texture + gold	234589K9
copper	234589P9
white texture	234589W9
black texture + copper	234589Z9

5.0 E27

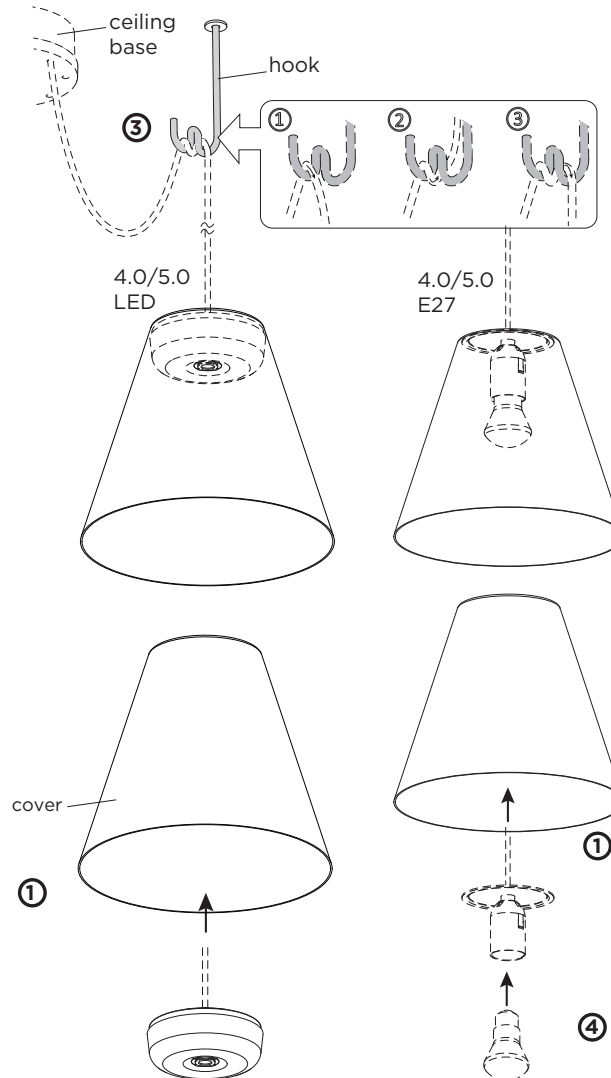
E27 | max.40W | QA60 | 100-240VAC

CE IP20 0.9m

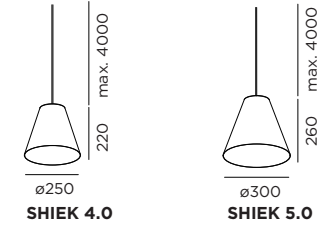
white texture + gold	2345E8J0
black texture + gold	2345E8K0
copper	2345E8P0
white texture	2345E8W0
black texture + copper	2345E8Z0

OPTIONAL

single ceiling base
multi ceiling bases
3 or 4 cluster connector



DIMENSIONS

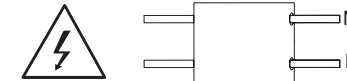


MOUNTING INSTRUCTION

- 1 Pass the cable through the hole at the top of the cover.

POWER CONNECTION

- 2 Connect the fixation to the main power connection: STANDARD version



- 3 Hang the cable on the hook.
- 4 Only for E27 version: Screw the lamp to the socket (lamp is not including)

see the follow steps on page 2



WEVER & DUCRÉ
LIGHTING

www.weverducre.com

Wever & Ducre bvba Kwadestraat 153 bus 2.1 8800 Roeselare

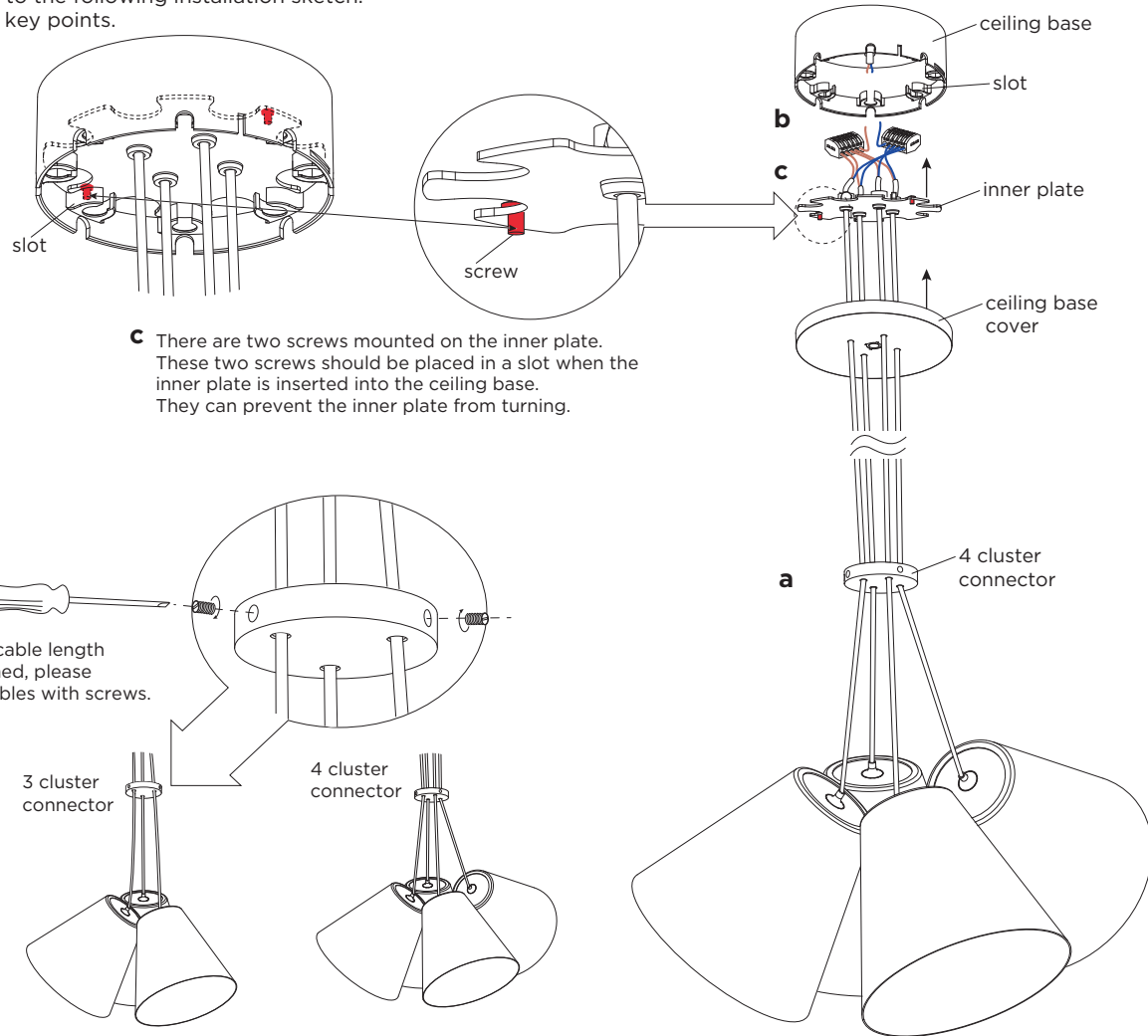
INSTALLATION
INSTRUCTIONS

PAGE 1/2

SHIEK 4.0/5.0

11-Dec.- 2017

- ⑤ When using the 3 or 4 cluster connector, please install the fixture according to the following installation sketch. a,b & c are key points.



c There are two screws mounted on the inner plate. These two screws should be placed in a slot when the inner plate is inserted into the ceiling base. They can prevent the inner plate from turning.

a When the cable length is determined, please lock the cables with screws.

b POWER CONNECTION

Connect the power

