

SNEAK TRIM 2.0

05-Jul.-2017

2.0 LED

LED 2xLED 7/10W | 350-500mA | 18Vf | COB 3-step | excl. power supply

CE IP20 10.3m 32° 35°/35° 355°

white texture
black texture

155451W_
155451B_

LIGHT COLOUR

2700K | >90CRI | 2x335-470lm

3

3000K | >90CRI | 2x375-510lm

5

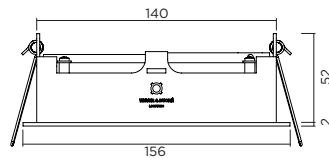
1800-2850K | >95CRI | 2x255-350lm

9

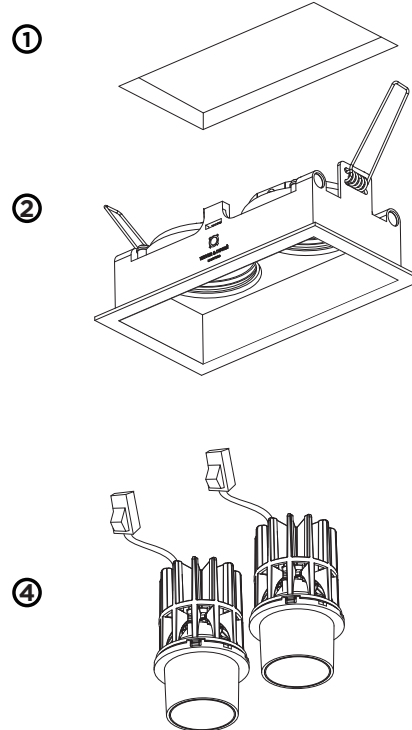
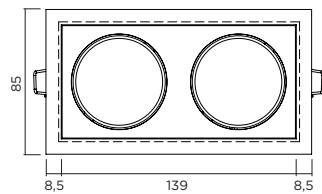
ALWAYS USE

for power supplies see our catalogue

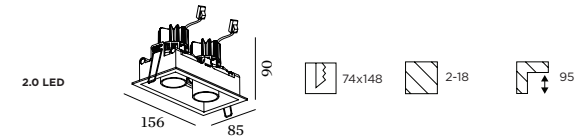
side view



bottom view



DIMENSIONS



MOUNTING INSTRUCTION

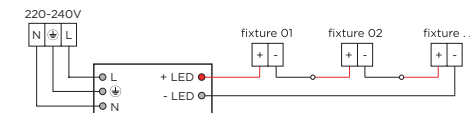
① Make a hole in the ceiling according to the prescribed dimensions.

② Insert the fixture in the hole

③ POWER CONNECTION

SERIAL CONNECTION - for LED

Always use POWER SUPPLY according to the specifications of the LED-module



④ Place the LED-modules in the fixture.



WEVER & DUCRÉ
LIGHTING

www.weverducre.com

Wever & Ducré bvba Kwadestraat 153 bus 2.1 8800 Roeselare

**INSTALLATION
INSTRUCTIONS**