

# SQUBE ON BASE 2.0

22-Jun.-2018

## 2.0 LED

LED 12W | 220-240VAC | 50-60Hz | COB 3-step | incl. PS | phase-cut dim

CE IP20 0,3m 24° 90°

white texture	144464W_
black texture	144464B_

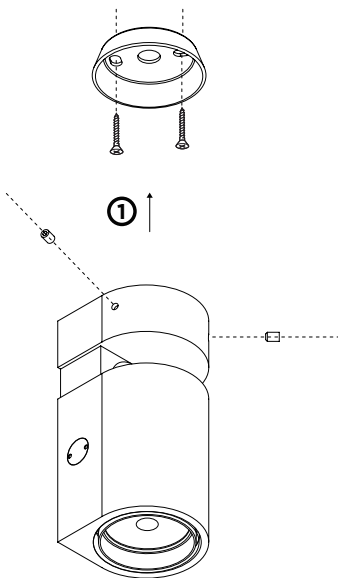
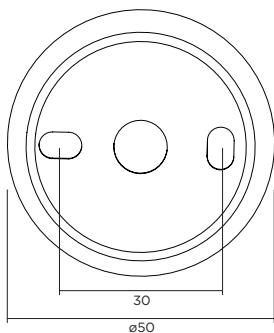
### LIGHT COLOUR

2700K   >80CRI   780lm	2
3000K   >80CRI   810lm	4
1800-3000K   >80CRI   850lm	9

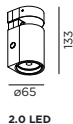
### OPTIONAL

dimmer	
for switch	90019017
for din rail	90019018

base plate dimensions



## DIMENSIONS

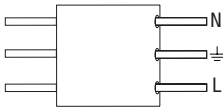


## MOUNTING INSTRUCTION

- Remove the screws, put the cables through the opening and mount the base on the ceiling.

## POWER CONNECTION

- Interior: connection: STANDARD version



Mount the fixture again with the screws on the base.

The light source of the integrated LED is not replaceable;  
When the light source reaches its end of life the whole luminaire shall be replaced.



Caution, risk of electric shock