

TOWNA

18-Sep.-2019

1.0

LED 13W | 220-240VAC | 50-60Hz | AC-PCB 3-step low flicker | phase cut dim

CE \oplus IP44 \downarrow 0,3m P M D A L

white texture	178184W_
white texture + gold	178184J_
copper	178184P_
black texture + gold	178184K_
black texture + copper	178184Z_
Black texture	178184B_

LIGHT COLOUR

2700K >90CRI 780lm	3
3000K >90CRI 850lm	5

2.0

LED 18W | 220-240VAC | 50-60Hz | AC-PCB 3-step low flicker | phase cut dim

CE \oplus IP44 \downarrow 0,3m P M D A L

white texture	178284W_
white texture + gold	178284J_
copper	178284P_
black texture + gold	178284K_
black texture + copper	178284Z_
Black texture	178284B_

LIGHT COLOUR

2700K >90CRI 1090lm	3
3000K >90CRI 1210lm	5

3.0

LED 32W | 220-240VAC | 50-60Hz | AC-PCB 3-step low flicker | phase cut dim

CE \oplus IP44 \downarrow 0,3m P M D A L

white texture	178384W_
white texture + gold	178384J_
copper	178384P_
black texture + gold	178384K_
black texture + copper	178384Z_
Black texture	178384B_

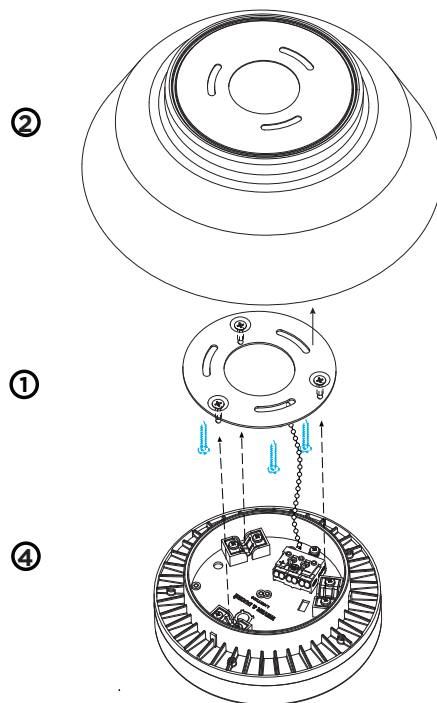
LIGHT COLOUR

2700K >90CRI 1550lm	3
3000K >90CRI 1660lm	5

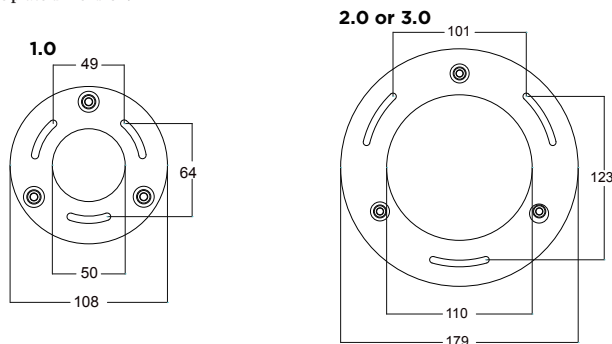
The light source of the integrated LED is not replaceable.



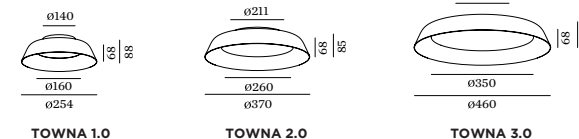
Caution, risk of electric shock



Base plate dimension:



DIMENSIONS

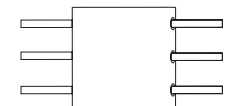


MOUNTING INSTRUCTION

- 1 Remove the base plate from the fixture and also disconnect the fall protection wire.
- 2 Mount the base plate together with the cover on the ceiling with 3 screws (screws are not included).

POWER CONNECTION

Interior connection: STANDARD version



- 4 Connect the fall protection wire back to the base plate. Then attach the fixture to the base plate by clicking the 3 foreseen pins into the holes.