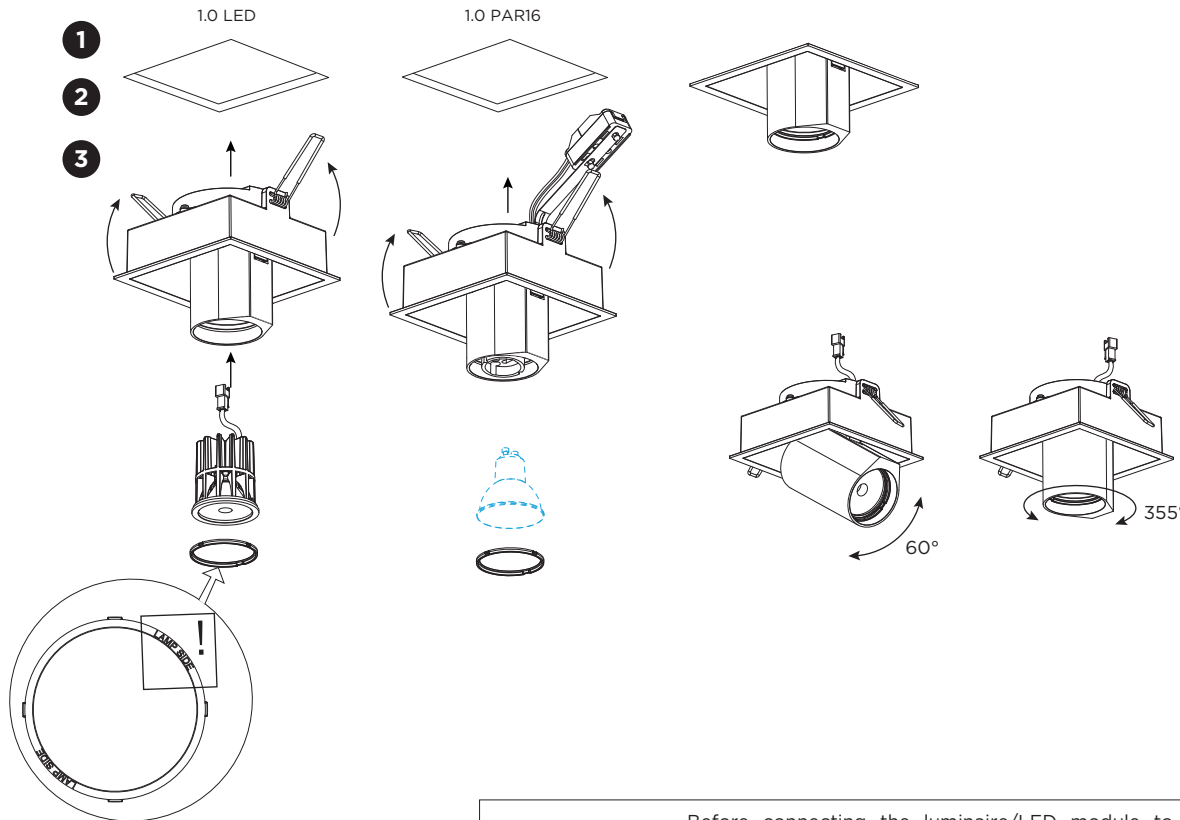


BLIEK SQUARE

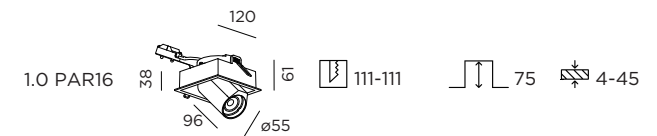
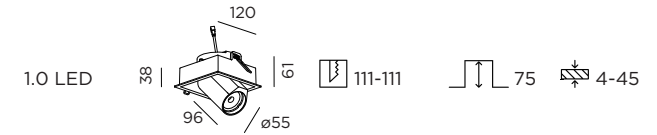
INSTALLATION INSTRUCTIONS | JUNE 2020



Warning: Before connecting the luminaire/LED module to the driver please make sure the driver is not powered but disconnected from the mains. The driver can only be powered when the luminaire/LED module is already connected. Disregarding this instruction might damage or even destroy the luminaire/LED module.

Driver must be powered off before connecting cables.

DIMENSIONS



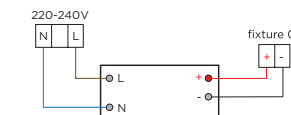
MOUNTING INSTRUCTION

1 Make a hole in the ceiling according to the prescribed dimensions.

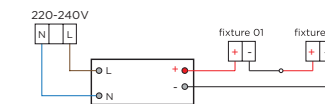
2 POWER CONNECTION

LED Always use a driver according to the specifications of the LED module.

Single connection



Multiple connection



PAR16

Single connection



Multiple connection



3 Push the springs up and insert the fixture in the ceiling hole.

PB19-010-674-00_V1