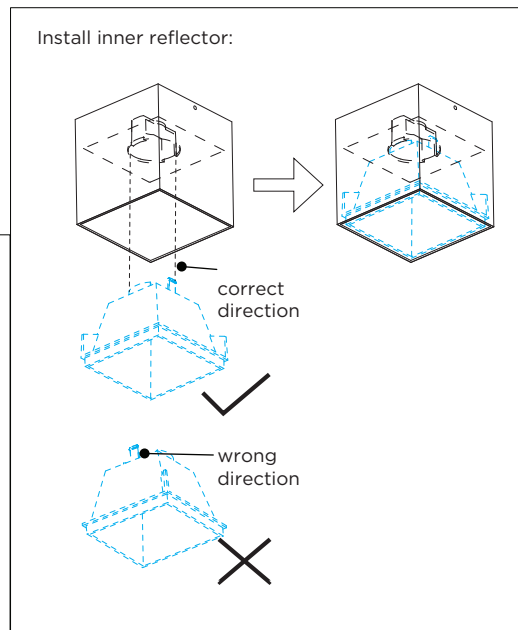
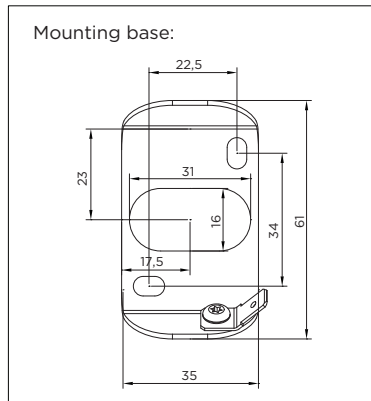
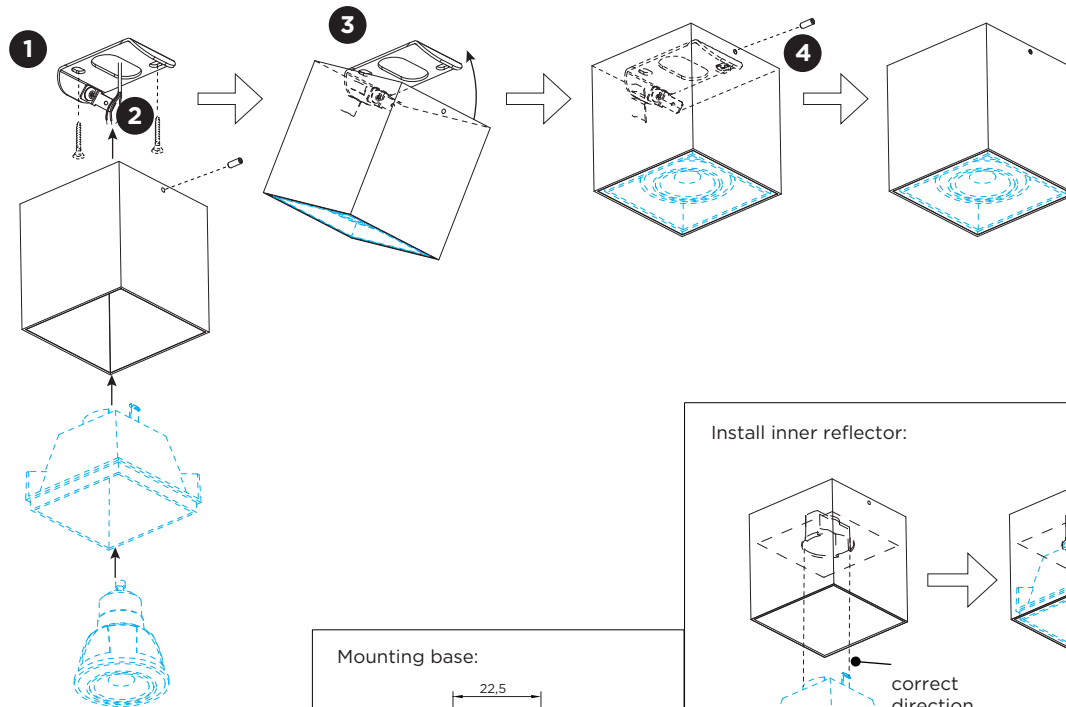
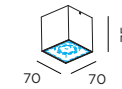


BOX MINI ceiling surface

INSTALLATION INSTRUCTIONS | MAY 2020



DIMENSIONS



1.0 PAR16

MOUNTING INSTRUCTION

- 1 Remove the mounting base from the luminaire by loosening the socket screw and mount it on the ceiling with screws (screws are not included).
- 2 **POWER CONNECTION**
Connect to 220-240V.

Connect the earth cable.
- 3 Attach the luminaire to the mounting base with the screw opposite side first and tilt towards the ceiling as shown.
- 4 Fixate the luminaire on the base with the socket screw.